



**170 Lumen / Watt**

The A-170 QUADRA is the next generation LED High Baylight luminaire. With its pure design it is suitable for both industrial and architectural purposes. The efficiency of 170lm/w as well as the low glare rate <19 makes it applicable in almost every situation. Even severe conditions are easily overcome because of the IK09 / IP69 protection level. With a lifespan of 100.000 Hours (L80B20) the A-170 QUADRA ensures you years of durable and high efficient use.

## SPECIFICATIONS

MODEL	Power (W)	Flux (Lumen)
QUADRA80W	80	13.600
QUADRA100W	100	17.000
QUADRA150W	150	25.500
QUADRA200W	200	34.000
QUADRA240W	240	40.800

Luminous flux based on 4.000K / CRI 80Ra

AC Input : 100-277V 50/60Hz

Brand of LED Driver : MEANWELL / MOSO

Light Source : 2835

CRI Range : Ra>80

CCT Range : NW(4000K) CW(5700K)

Light Efficiency : 170±5% Lm/W

Beam Angle : 90°

Housing : Aluminum Alloy

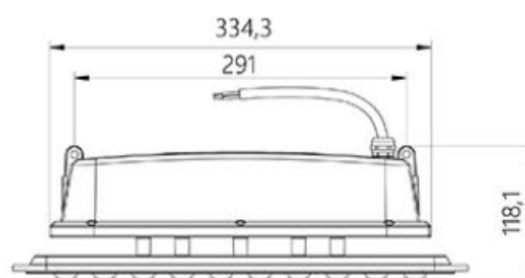
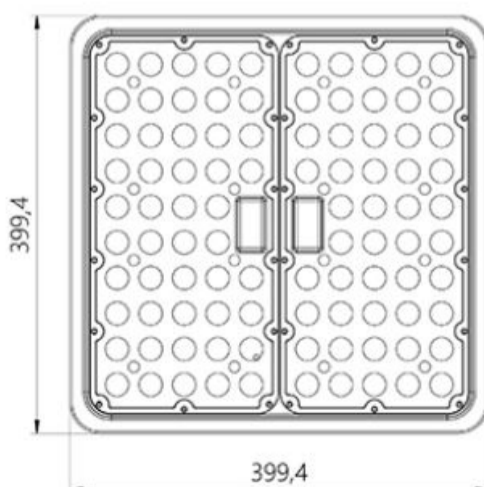
Waterproof : IP69K & IK09

L80B20@25°C : >100000H

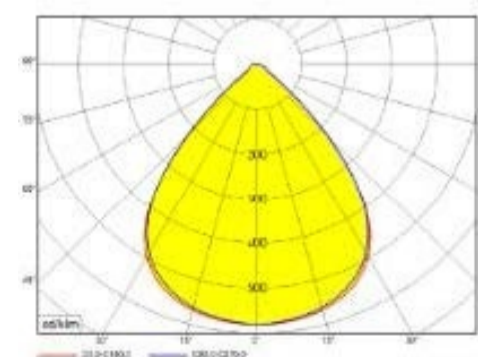
PF : ≥0.95 THD<15% Power Efficiency : ≥0.9

Certifications : TUV, CE, CB, ETL, FCC, SAA

## DIMENSIONS



## BEAM ANGLE

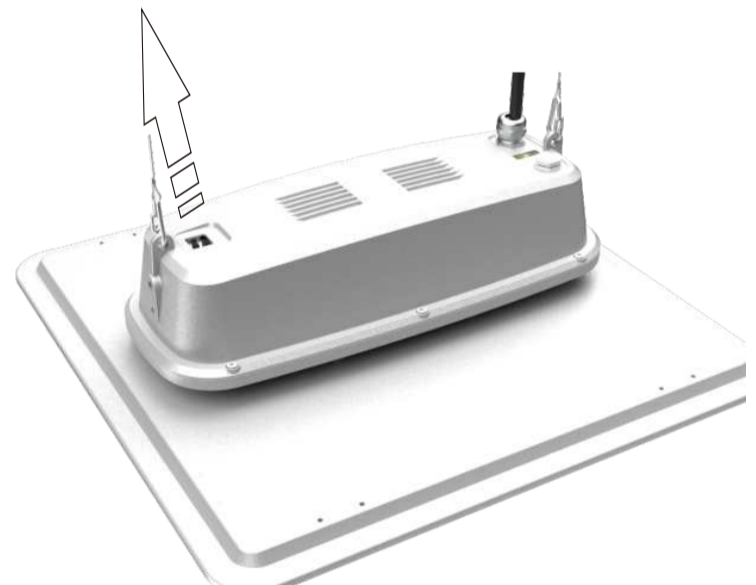
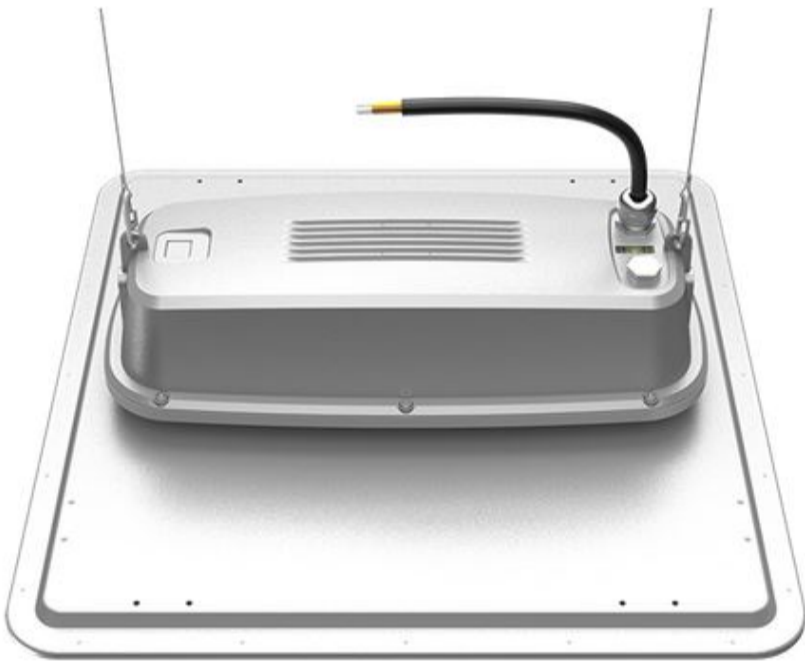
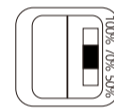




**PRODUCT VIEWS**



Power & Colour Selector / Power Selector



**ACCESSORIES**



Bracket



Wire Suspension  
2 x 1.000mm



Threaded Rod  
Fixation



Split Wire  
Suspension



Steel Wire  
Clamp

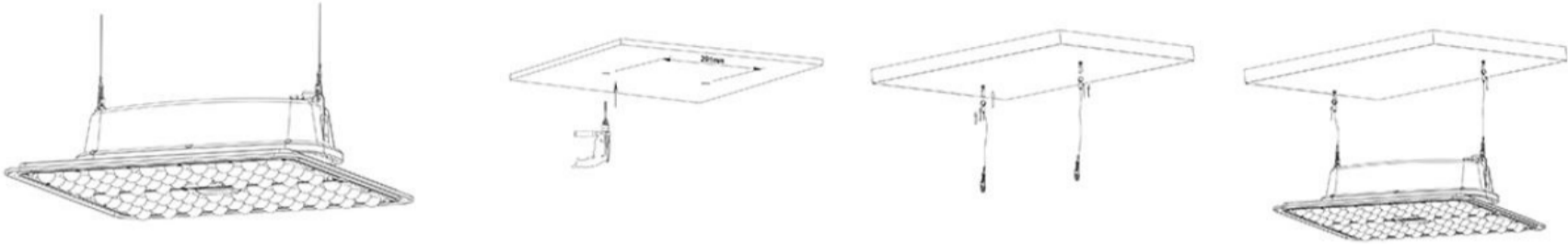


Fixture  
Coupler

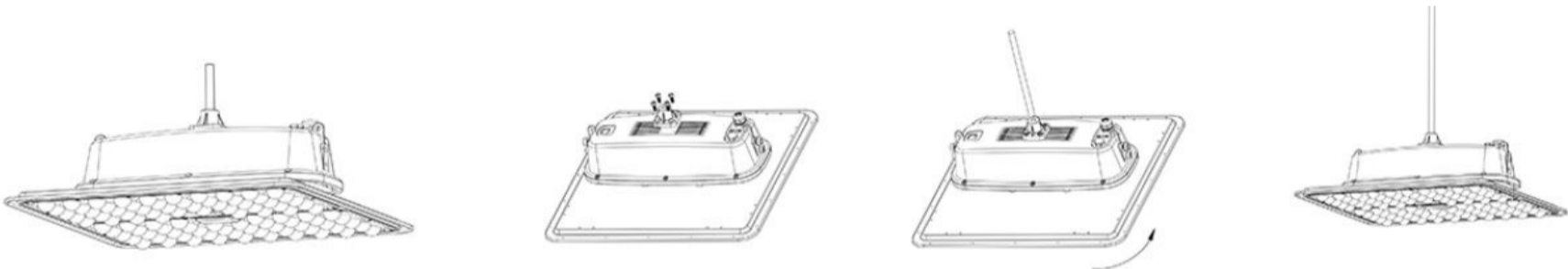


**INSTALLATION OPTIONS**

**Wire**



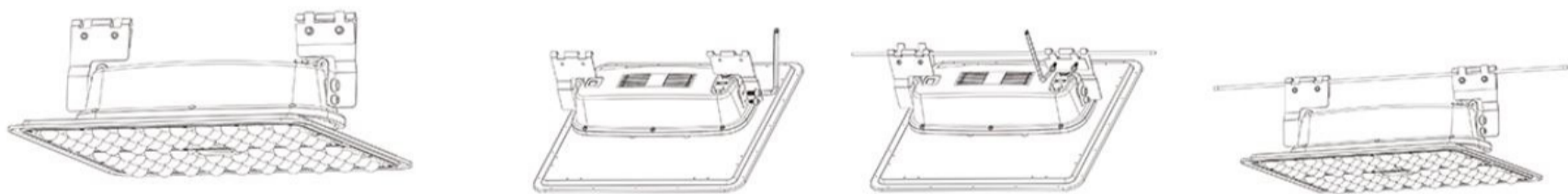
**Threaded Rod**



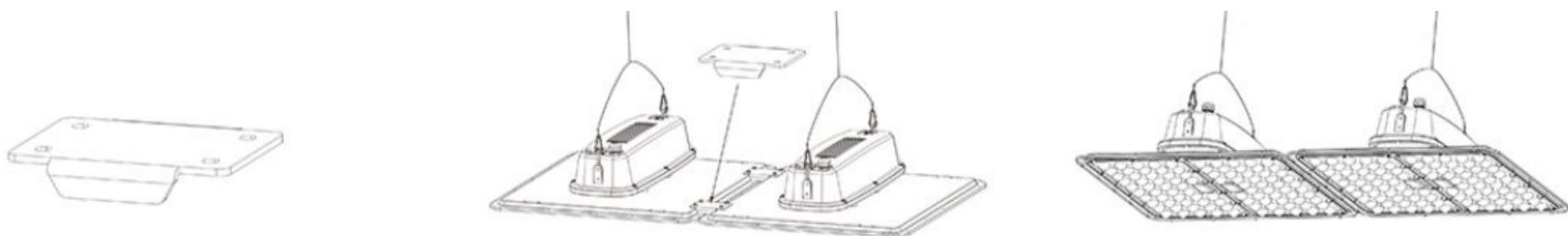
**Bracket**



**Steel Wire**

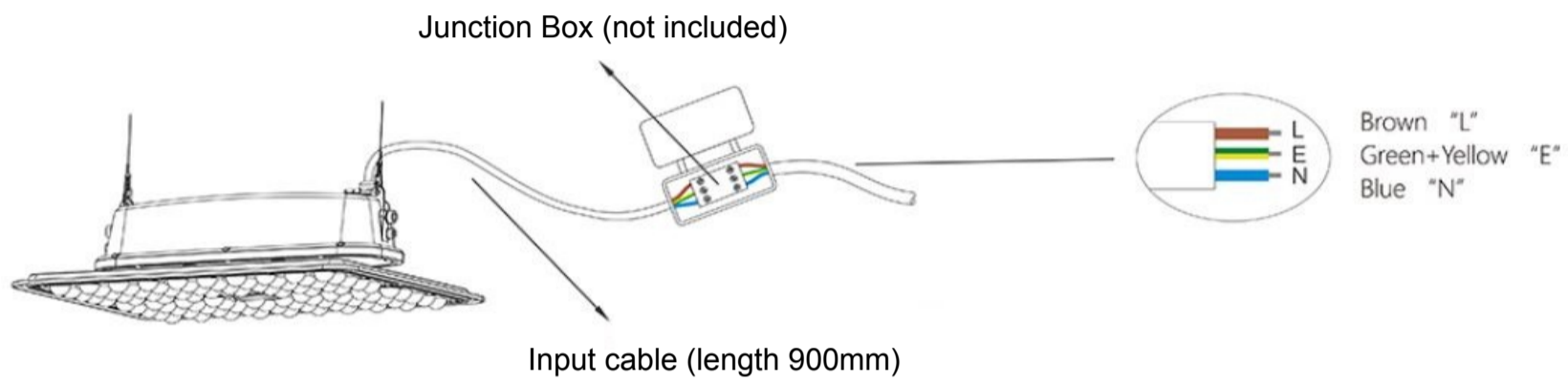


**Coupled**

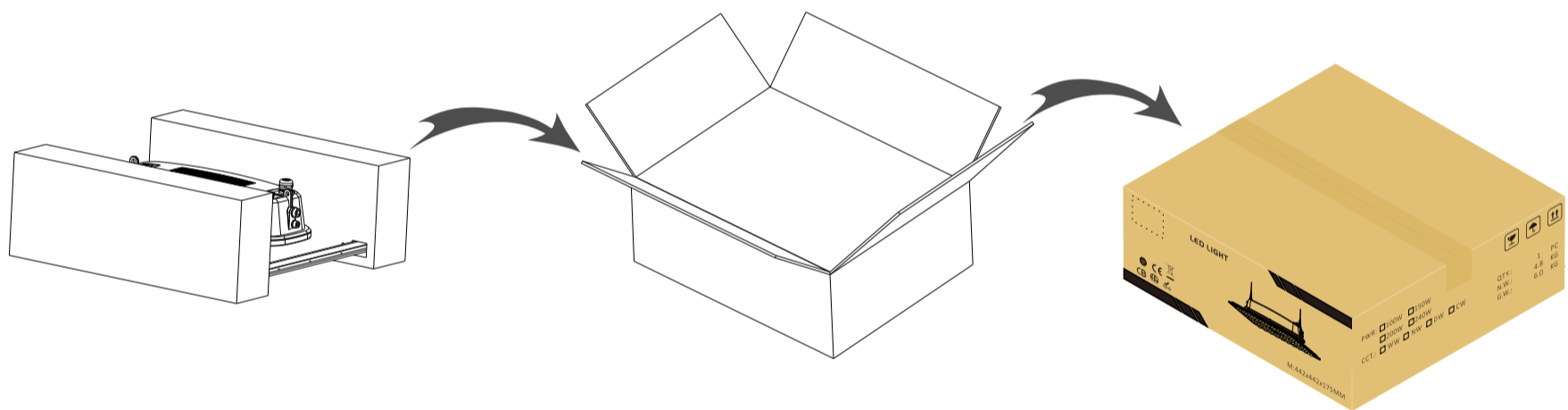




**ELECTRICAL CONNECTION**



**PACKAGING INFORMATION**



MODEL	QUANTITY	NET WEIGHT	GROSS WEIGHT	DIMENSIONS
A-170 QUADRA	1pc/box	4,8kg	6,0kg	442x442x175mm