



<b>PRODUCT MATERIAL</b>	Aluminium profile
<b>LIGHT SOURCE</b>	Philips Ledline
<b>MODULE LIFETIME</b>	Approx. 50.000 hours
<b>DRIVER</b>	Including on/off driver
<b>COLORS (Δ)</b>	<input type="radio"/> 3 = RAL 9003 white <input checked="" type="radio"/> 5 = RAL 9005 black <input type="radio"/> 6 = RAL 9006 alu
<b>REFLECTOR</b>	Aluminium white
<b>SIZE</b>	See technical drawing



**OPTIONS**

<b>COLORS</b>	Available in all RAL colours on request Additional price + 10%
<b>DIMMABLE</b>	Dali dimmable
<b>IP CLASS</b>	IP20 in standard, IP44 on request
<b>COLOUR RENDERING INDEX</b>	>80 in standard, other on request
<b>MOVEMENT SENSOR</b>	On request
<b>DAYLIGHT CONTROL SENSOR</b>	On request
<b>TUNABLE WHITE</b>	On request
<b>CYAN ENHANCED STATIC</b>	On request

OPTION NOMO



OPTION NOMO



NOMO suspended direct or direct / indirect luminaires are available with wide variety of original BARRISOL sheets including BARRISOL acoustic materials. Please contact our sales department for further details.

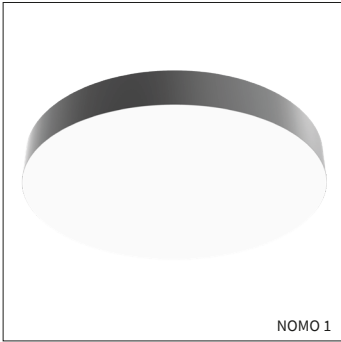
**INFORMATION**

Including 1500mm steel wire suspension with wire length control

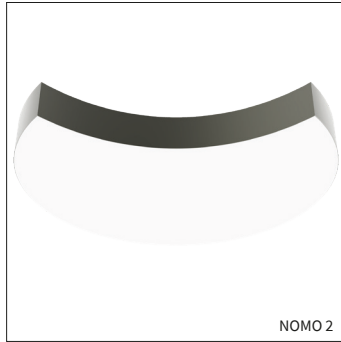
**Bespoke size & product features available**

LiteTime reserves the right to modify or change technical, construction or LED specifications due to continuous improvements of our products and light sources. The light source in this product can be replaced with an equivalent module made by Philips, Osram or Tridonic.

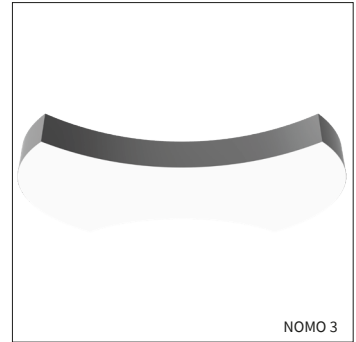
ARTICLE NUMBER	DIAMETER	GROSS LUMEN OUTPUT	NETTO LUMEN OUTPUT	OUTPUT POWER	MODULE EFFICIENCY	COLOR TEMPERATURE	CRI	TC LIFETIME
<b>NOMO 1</b>								
Δ See colors								
9247.120.30.Δ	Ø1200mm	9900lm	7800lm	90W	110lm/W	3000K	>80	50.000 Hrs
9247.120.35.Δ	Ø1200mm	9900lm	7800lm	90W	110lm/W	3500K	>80	50.000 Hrs
9247.120.40.Δ	Ø1200mm	9900lm	7800lm	90W	110lm/W	4000K	>80	50.000 Hrs
<b>NOMO 2</b>								
9248.120.30.Δ	Ø1200mm	8200lm	6500lm	76W	108m/W	3000K	>80	50.000 Hrs
9248.120.35.Δ	Ø1200mm	8200lm	6500lm	76W	108m/W	3500K	>80	50.000 Hrs
9248.120.40.Δ	Ø1200mm	8200lm	6500lm	76W	108m/W	4000K	>80	50.000 Hrs
<b>NOMO 3</b>								
9249.120.30.Δ	Ø1200mm	6600lm	5200lm	61W	108m/W	3000K	>80	50.000 Hrs
9249.120.35.Δ	Ø1200mm	6600lm	5200lm	61W	108m/W	3500K	>80	50.000 Hrs
9249.120.40.Δ	Ø1200mm	6600lm	5200lm	61W	108m/W	4000K	>80	50.000 Hrs



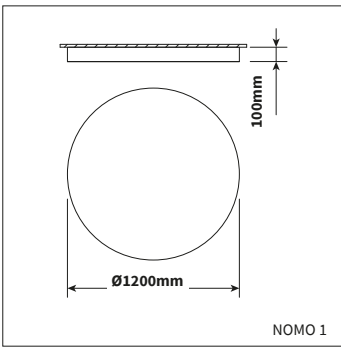
NOMO 1



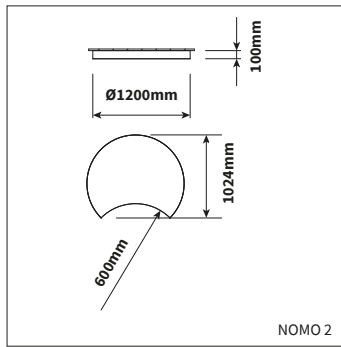
NOMO 2



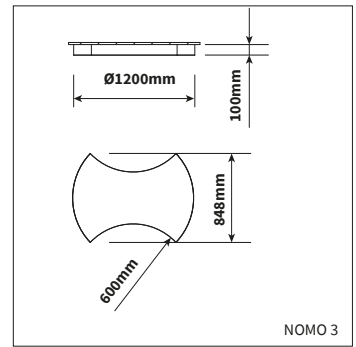
NOMO 3



NOMO 1



NOMO 2



NOMO 3

