



MEGAL/2M/KN

LED HIGHBAY

Body:

White painted (RAL9003) metal sheet

Optic:

Highly polished reflectors made of MIRO® aluminium

MEGAL... narrow beam 35°

MEGAL W... wide beam 115°

Cover:

Clear hardened glass (standard)

PC – clear polycarbonate, mechanical resistance IK10

PCO – opal polycarbonate, mechanical resistance IK10

KN – microprismatic PMMA

PCN – mikroprismatic PC cover (certificated for sporthalls according to DIN VDE 0710-13)

Application:

Supermarkets, assembly halls, stocks, etc. – as an alternative for discharge or fluorescent lamp luminaires

Assembly:

Pendant / surface installation.

Fixtures are equipped with 4 snap hooks for easy hanging by chains or ropes with eyelet.

To connect to the power are fittings equipped with cable with IP65 connector.

IK10 – available version with higher resistance, with cover PC, PCO or PCN

Accessories:

MEGAMONTSET - a holder for surface assembly

MEGALVESTRAM - a holder for recessed installation of MEGAL 4S

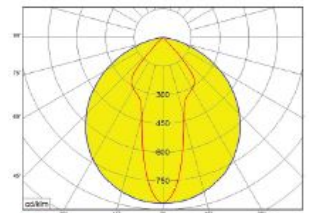
MEGALPIR - sensor for MEGAL

Variants:

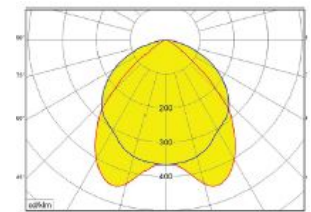
V1 = luminaire with driver in gear box

V2 = luminaire with driver without gear box

V4 = luminaire with low current driver in gear box



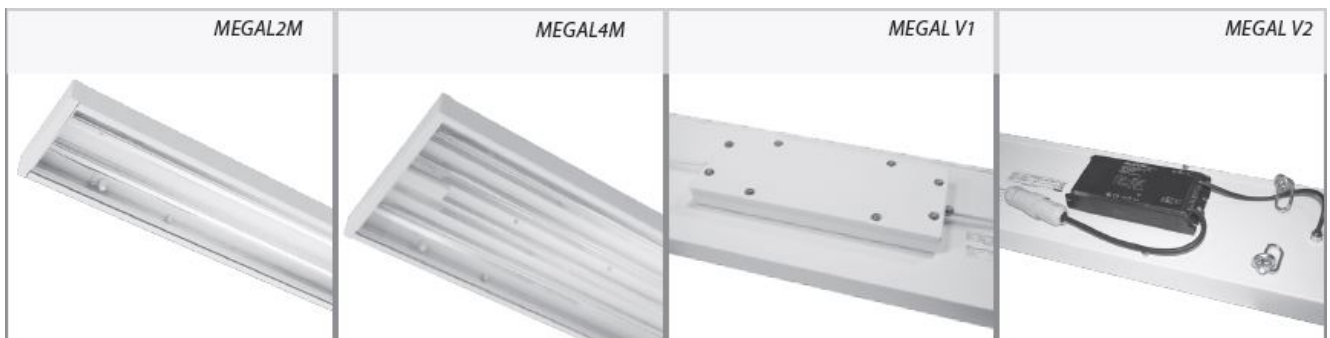
MEGAL



MEGAL W

2200	2700	3000	4000	5700	6500	MIX	RGB	
×	×	○	●	○	○	×	×	×
●	×	○	○	×	○	×	×	●

● default ○ optional × not possible



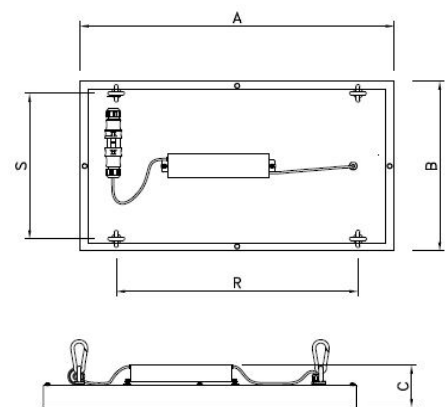
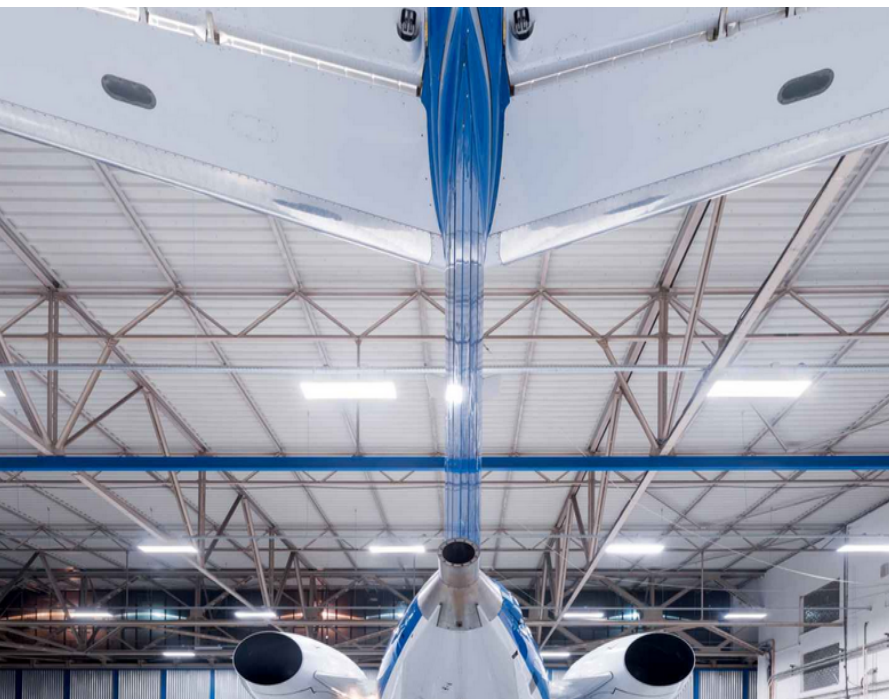
Codes: MEGAL2M4V1/2100ND

MEGAL	2	M	4	PC	V1	/2100ND
Luminaire type: MEGAL - narrow beam MEGALW - wide beam	Nr of lighting strips	Body length S = 600 mm M = 1200 mm	Color temperature: 3 = 3000K, 4 = 4000K 5 = 5700K	Cover type clear glass PC - clear polycarbonate PCO - opal polycarbonate KN - microprismatic PMMA PCN - microprismatic cover	Insulation class V1 ... class I V2 ... class II	Driver type: ND - no dimmable DALI - dimmable DALI

THE MANUFACTURER CONTINUES TO DEVELOP PRODUCTS THROUGHOUT THEIR LIFETIME. THEREFORE, THE COMPANY RESERVES THE RIGHT TO MODIFY MATERIALS, COMPONENTS, AND TECHNICAL PARAMETERS WITHOUT NOTICE. LUMINOUS OUTPUT AND ELECTRICAL LOAD HAVE AN INITIAL TOLERANCE OF +/- 10 % FROM NOMINAL. FAILURE OF ONE LED LIGHT POINT WITHIN A LUMINAIRE DOES NOT IMPAIR FUNCTIONAL PERFORMANCE AND SO IS NOT CLASSIFIED AS REASON FOR COMPLAINT.

Dimensional table MEGAL

MEGAL	A	B	C	R	S	kg
MEGAL 2S, MEGALW 2S	655	197	90	500	140	5
MEGAL 4S, MEGALW 4S		357			300	7
MEGAL 2M, MEGALW 2M	1224	197		940	140	7
MEGAL 4M, MEGALW 4M		357			300	13
MEGAL 6M, MEGALW 6M		507	450		18	



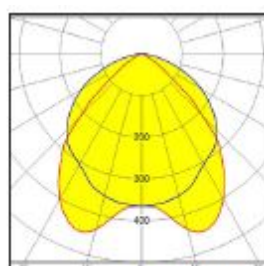
MEGAL performance tables

MEGAL	W	lm			
			PC	KN	PCN
MEGAL 2S /1050	49	7300	7100	6900	5250
MEGAL 4S /1400	61	10000	9500	8800	7900
MEGAL 4S /2100	92	14500	14000	13500	11400
MEGAL 2M /1400	61	10 000	9 500	8 800	7900
MEGAL 2M /2100	92	14 500	14 000	13 500	11400
MEGAL 4M /2800	125	20 000	19 400	18 800	15600
MEGAL 4M /4200	182	29 500	28 800	27 600	22700
MEGAL 6M /2100	278	44 000	X	X	X

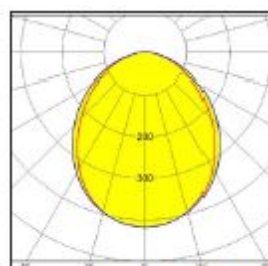
MEGALW	W	lm		
			PC	PCO
MEGALW 2S /1050	49	7400	7200	6000
MEGALW 4S /1400	61	10400	10000	8400
MEGALW 4S /2100	92	15000	14500	12000
MEGALW 2M /1400	61	10 400	10 000	8 400
MEGALW 2M /2100	92	15 000	14 500	12 000
MEGALW 4M /2800	125	20 500	19 900	16 700
MEGALW 4M /4200	182	30 000	29 100	24 000
MEGALW 6M /2100	278	45 000	X	X

MEGAL V4	W	lm				
			PC	PCO	KN	PCN
MEGAL 2M V4 /600	87	13 000	12 500	X	12000	10500
MEGAL 4M V4 /1200	173	26 000	25 200	X	24000	21000

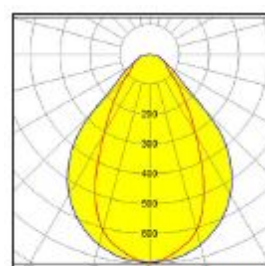
MEGALW V4	W	lm				
			PC	PCO	KN	PCN
MEGALW 2M V4 /600	87	13 500	13 000	10 800	X	X
MEGALW 4M V4 /1200	173	27 000	26 200	22 000	X	X



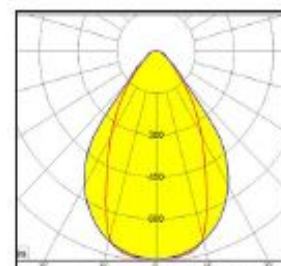
MEGALW PC



MEGALW PCO



MEGAL KN

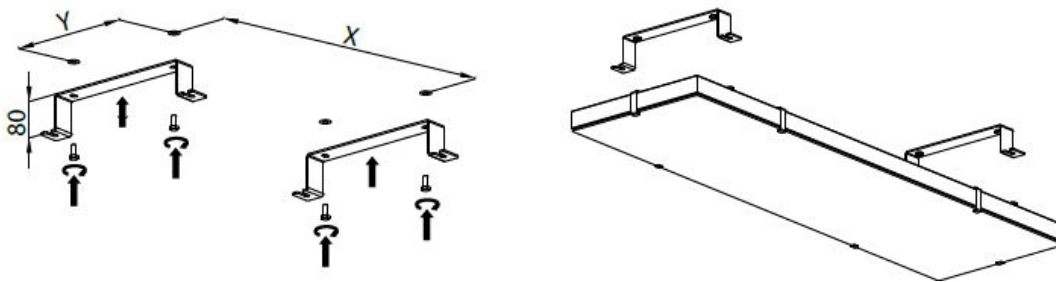


MEGAL PCN

MEGAMONTSET

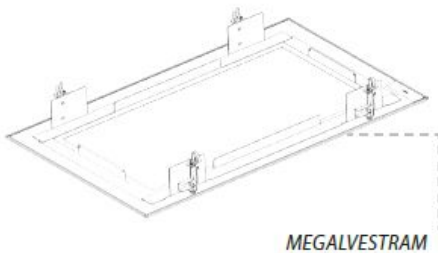
Set of holders for surface assembly of MEGAL.
White painted steel profile
Mounting to the body of the luminaire in place eyebolts.
Distance between the fitting and the ceiling is 80 mm

	X	Y	for fitting
MEGAMONTSET2	940	60	MEGAL 2M
	500	60	MEGAL 2S
MEGAMONTSET4	940	220	MEGAL 4M
	500	220	MEGAL 4S



MEGALVESTRAM

Frame for recessed installation of MEGAL into a ceiling
White painted metal sheet



	A	B	C	□
MEGALVESTRAM/2S	800	340	110	670x310
MEGALVESTRAM/4S	800	500	110	670x470
MEGALVESTRAM/2M	1270	340	110	1240x310
MEGALVESTRAM/4M	1270	500	110	1240x470

MEGALPIR

Microwave sensor for MEGAL and OKTA
This sensor is a motion switch, which turns on the light on detection of people movement, and turns off after a pre-selected hold-time when there is no people around. A sensor is also built-in to prevent the light switching on when there is sufficient natural light.

IP65

Set included assembly holder and cables with connectors

Settings after installation with remote controller MEGALPIR/RC or with DIP switches.

Variants:

MEGALPIR/2M

MEGALPIR/4M

