



PRODUCT MATERIAL	Die-cast aluminium
ADAPTER	48V adapter
LIGHT SOURCE	Cree XPE2 SMD
MODULE LIFETIME	Approx. 50.000 hours
DRIVER	Including Xitanium driver
COLORS (Δ)	○ 3 = RAL 9003 white ● 5 = RAL 9005 black
BEAM ANGLE	▲
ADJUSTABLE	No
SIZE	See technical drawing



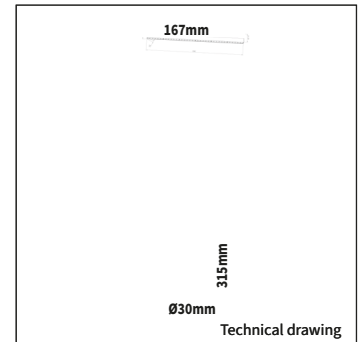
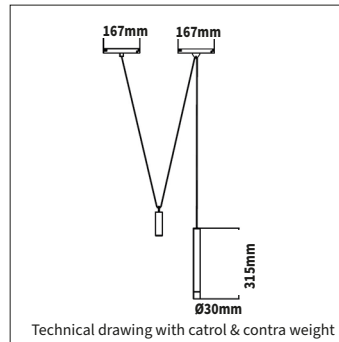
OPTIONS

ADAPTER	Catrol & contra weight Art. no.: 5830.000.00.Δ
WIRELESS DIMMABLE	Masterconnect, Easy Air/Zigbee

INFORMATION

Standard including 5000mm wire.

Keylight International reserves the right to modify or change technical, construction or LED specifications due to continuous improvements of our products and light sources. The light source in this product can be replaced with an equivalent module made by Philips, Osram or Tridonic.



CATROL & CONTRA WEIGHT



ARTICLE NUMBER	LAMP TYPE	BRAND	LUMINOUS FLUX	OUTPUT POWER	MODULE EFFICIENCY	COLOR TEMPERATURE	CRI	TC LIFETIME	mA
5828.270.00.Δ	XPE2 SMD	Cree	294lm	8W	37lm/W	2700K	>90	50.000 Hrs	500mA

Δ See colors