



| | |
|-------------------------|-----------------------|
| PRODUCT MATERIAL | Die-cast aluminium |
| ADAPTER | 48V adapter |
| LIGHT SOURCE | Cree XPE2 SMD |
| MODULE LIFETIME | Approx. 50.000 hours |
| DRIVER | Including Dali driver |
| COLORS | ● 5 = RAL 9005 black |
| BEAM ANGLE | ▲ 110° |
| ADJUSTABLE | No |
| SIZE | Ø150 X 166mm |

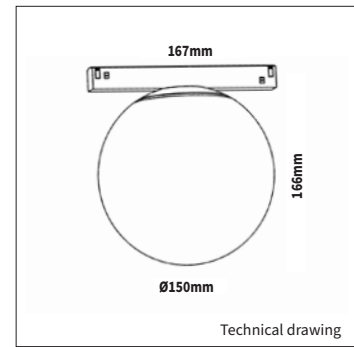


OPTIONS

| | |
|--------------------------|-------------------|
| WIRELESS DIMMABLE | Zigbee or Casambi |
|--------------------------|-------------------|

INFORMATION

Keylight International reserves the right to modify or change technical, construction or LED specifications due to continuous improvements of our products and light sources. The light source in this product can be replaced with an equivalent module made by Philips, Osram or Tridonic.



| ARTICLE NUMBER | LAMP TYPE | BRAND | LUMINOUS FLUX | OUTPUT POWER | MODULE EFFICIENCY | COLOR TEMPERATURE | CRI | TC LIFETIME | mA |
|----------------|-----------|-------|---------------|--------------|-------------------|-------------------|-----|-------------|-------|
| 5824.270.11.5 | XPE2 SMD | Cree | 294lm | 8W | 37lm/W | 2700K | >90 | 50.000 Hrs | 500mA |