



<b>PRODUCT MATERIAL</b>	Die-cast aluminium
<b>ADAPTER</b>	48V adapter
<b>LIGHT SOURCE</b>	Cree XPE2 SMD
<b>MODULE LIFETIME</b>	Approx. 50.000 hours
<b>DRIVER</b>	Including Dali driver
<b>COLORS (Δ)</b>	○ 3 = RAL 9003 white ● 5 = RAL 9005 black
<b>BEAM ANGLE</b>	110°
<b>ADJUSTABLE</b>	No
<b>SIZE</b>	See technical drawing

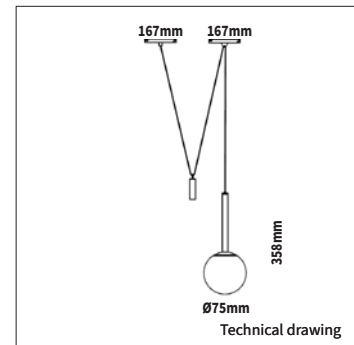
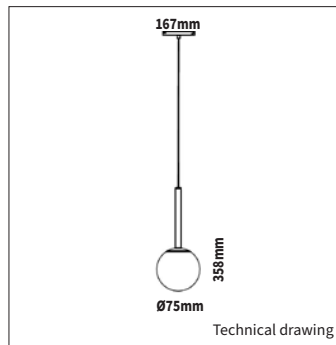
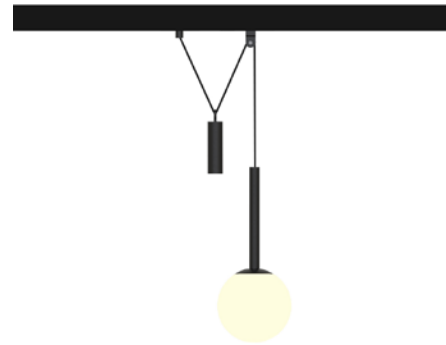
**OPTIONS**

<b>WIRELESS DIMMABLE</b>	Zigbee or Casambi
--------------------------	-------------------

**INFORMATION**

Standard including 5000mm wire.

Keylight International reserves the right to modify or change technical, construction or LED specifications due to continuous improvements of our products and light sources. The light source in this product can be replaced with an equivalent module made by Philips, Osram or Tridonic.



ARTICLE NUMBER	LAMP TYPE	BRAND	LUMINOUS FLUX	OUTPUT POWER	MODULE EFFICIENCY	COLOR TEMPERATURE	CRI	TC LIFETIME	mA
5823.270.11.Δ	XPE2 SMD	Cree	294lm	8W	37lm/W	2700K	>90	50.000 Hrs	500mA
<a href="#">Including catrol</a>									
5823.270.90.Δ	XPE2 SMD	Cree	294lm	8W	37lm/W	2700K	>90	50.000 Hrs	500mA

Δ See colors