



**SUSPENDED
DIRECT/INDIRECT
LED LIGHT FIXTURE**

Frame:
Metal gear tray finished in grey colour (optional black or white)

Optics:
Translucent Acrylic diffuser (C-Tru technology)

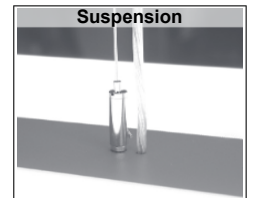
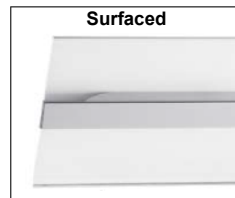
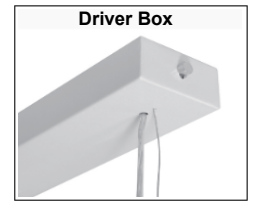
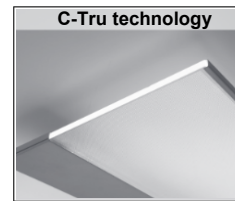
Appearance:
FLY...RM pendant 1.227x435mm
FLY...S surfaced 638x435mm

Note:
Cord suspension set incl. transparent power supply cable (2m)



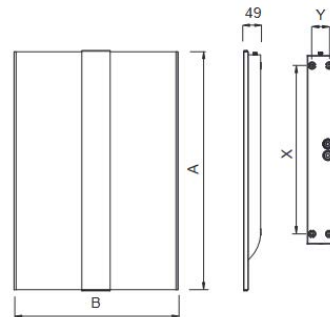
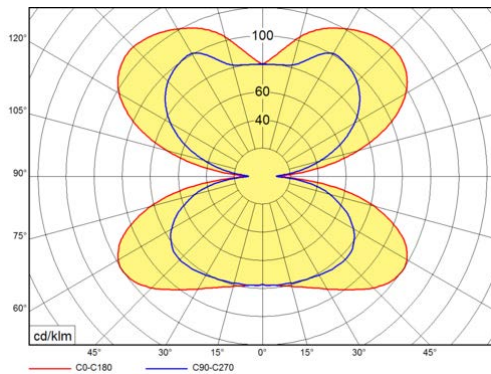
η_{ef} (lm/W)
92-96

FLY6000RM

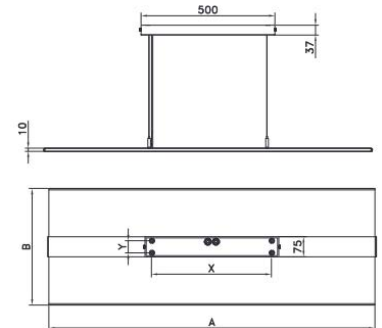


EK	P(W)	Lumen	A	B	X	Y	W(Kg)
FLYS3000RS	26	2 500	638mm	435mm	224mm	23mm	4,5
FLY4000RM	44	4 100	1 227mm		445mm	45mm	7,0
FLY6000RM	63	5 800					
FLY8000RM	77	7 100					
FLY4000RM/MIX*	49	4 200					

* Tunable White



FLY



FLY

2200	2700	3000	4000	5700	6500	MIX	RGB	Icon
X	O	O	●	O	O	O	X	X
ON/OFF	1-10V	DALI	Bluetooth	Icon	Icon	Icon	Icon	Icon
●	X	O	O	O	O	X	X	X

Codes: FLY4000RM3GP/ND

FLY	4000	R	M	3	G	P	/ND
Luminaire type FLY - pendant FLYS - surface	Light output	body shape: R – rectangle S – square	body length: S = 600 mm M = 1240 mm	Color temperature: 3 = 3000K 4 = 4000K 5 = 5700K	Color W = white B = black G = grey	Driver box assembly: P = surfaced V = recessed S = wall assembly	Driver type: ND – no dimmable DALI – dimmable DALI

THE MANUFACTURER CONTINUES TO DEVELOP PRODUCTS THROUGHOUT THEIR LIFETIME. THEREFORE, THE COMPANY RESERVES THE RIGHT TO MODIFY MATERIALS, COMPONENTS, AND TECHNICAL PARAMETERS WITHOUT NOTICE. LUMINOUS OUTPUT AND ELECTRICAL LOAD HAVE AN INITIAL TOLERANCE OF +/- 10 % FROM NOMINAL. FAILURE OF ONE LED LIGHT POINT WITHIN A LUMINAIRE DOES NOT IMPAIR FUNCTIONAL PERFORMANCE AND SO IS NOT CLASSIFIED AS REASON FOR COMPLAINT.