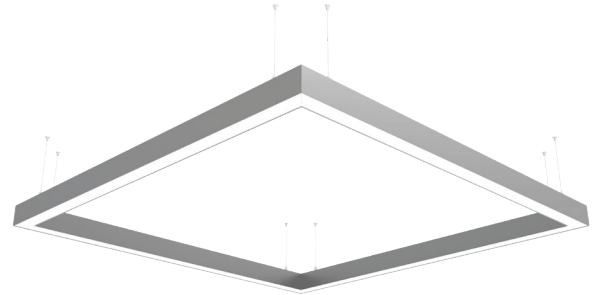




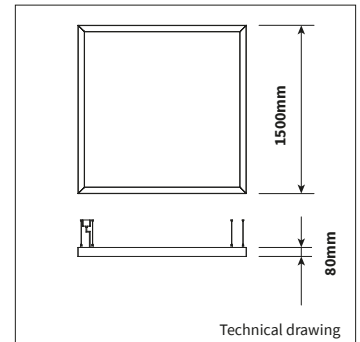
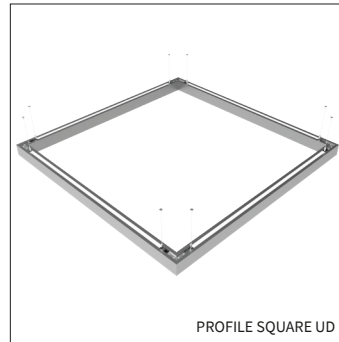
PROFILE SQUARE UD

PRODUCT MATERIAL	Aluminium profile
LIGHT SOURCE	Philips Ledline
MODULE LIFETIME	Approx. 50.000 hours
DRIVER LEDLINE	Including Philips Xitanium driver
COLORS (Δ)	<ul style="list-style-type: none"> ○ 3 = RAL 9003 white ● 5 = RAL 9005 black ● 6 = RAL 9006 alu
REFLECTOR	Aluminium white
ADJUSTABLE	No
SIZE	See technical drawing

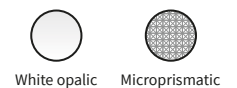


OPTIONS

COLORS	Available in all RAL colours on request Additional price + 10%
DIMMABLE	Dali dimmable
DIFFUSER	White opalic diffuser in standard Microprismatic UGR<19 option
EMERGENCY	3 hours
IP CLASS	IP20 in standard, IP44 on request
COLOUR RENDERING INDEX	>80 in standard, other on request
MOVEMENT SENSOR	On request
DAYLIGHT CONTROL SENSOR	On request
TUNABLE WHITE	On request
CYAN ENHANCED STATIC	On request



DIFFUSER



INFORMATION

Including 1500mm steel wire suspension with wire length control

Bespoke size & product features available

LiteTime reserves the right to modify or change technical, construction or LED specifications due to continuous improvements of our products and light sources. The light source in this product can be replaced with an equivalent module made by Philips, Osram or Tridonic.

ARTICLE NUMBER	LENGTH	GROSS LUMEN OUTPUT	NETTO LUMEN OUTPUT	OUTPUT POWER	MODULE EFFICIENCY	COLOR TEMPERATURE	CRI	TC LIFETIME
Δ See colors								
9274.150.30.Δ	1500 X 1500mm	35200lm	24000lm	215W	164lm/W	3000K	>80	50.000 Hrs
9274.150.35.Δ	1500 X 1500mm	35200lm	24000lm	215W	164lm/W	3500K	>80	50.000 Hrs
9274.150.40.Δ	1500 X 1500mm	35200lm	24000lm	215W	164lm/W	4000K	>80	50.000 Hrs