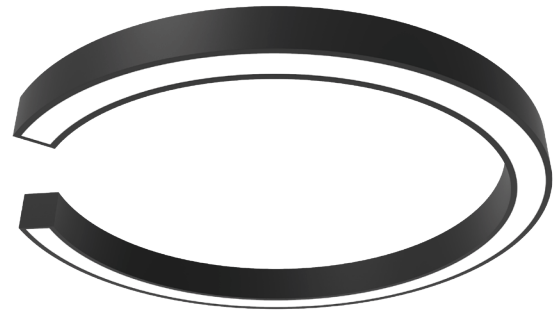


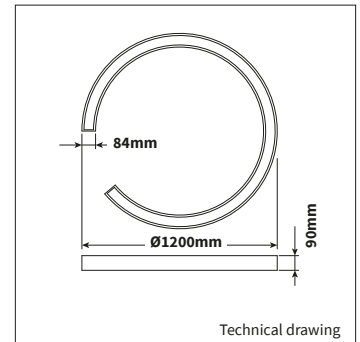


PRODUCT MATERIAL	Aluminium profile
LIGHT SOURCE	Philips Ledline
MODULE LIFETIME	Approx. 50.000 hours
DRIVER	Including on/off driver
COLORS (Δ)	<ul style="list-style-type: none"> ○ 3 = RAL 9003 white ● 5 = RAL 9005 black ● 6 = RAL 9006 alu
REFLECTOR	Aluminium white
SIZE	See technical drawing



OPTIONS

COLORS	Available in all RAL colours on request Additional price + 10%
DIMMABLE	Dali dimmable
DIFFUSER	White opalic diffuser in standard
IP CLASS	IP20 in standard, IP44 on request
COLOUR RENDERING INDEX	>80 in standard, other on request
MOVEMENT SENSOR	On request
DAYLIGHT CONTROL SENSOR	On request
TUNABLE WHITE	On request
CYAN ENHANCED STATIC	On request



INFORMATION

Including 1500mm steel wire suspension with wire length control

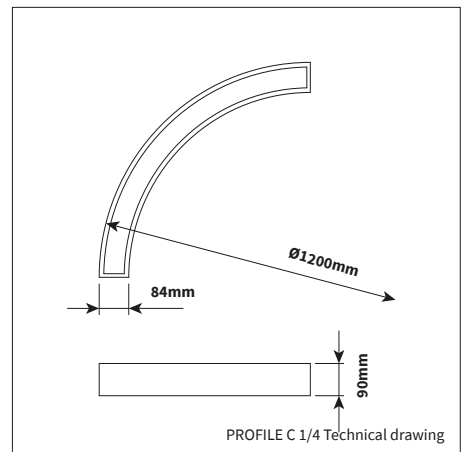
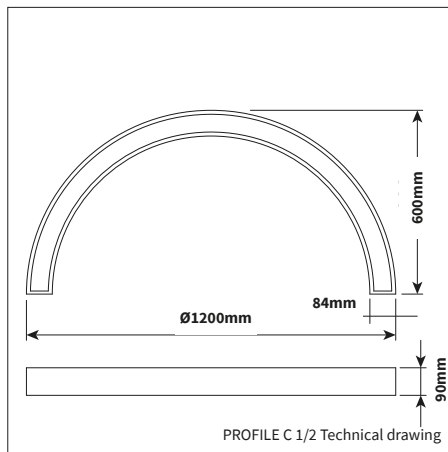
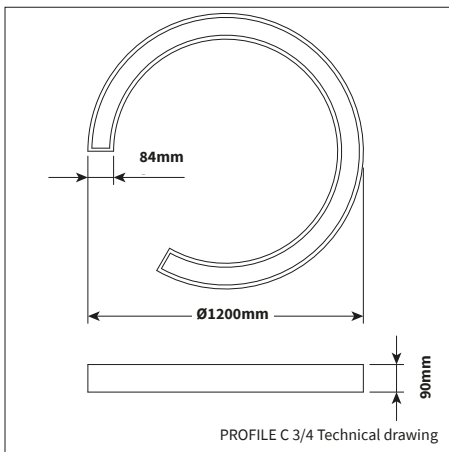
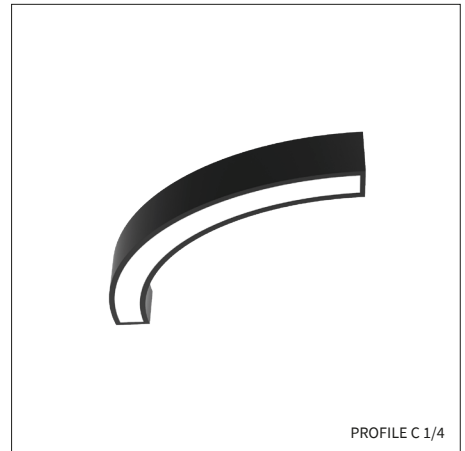
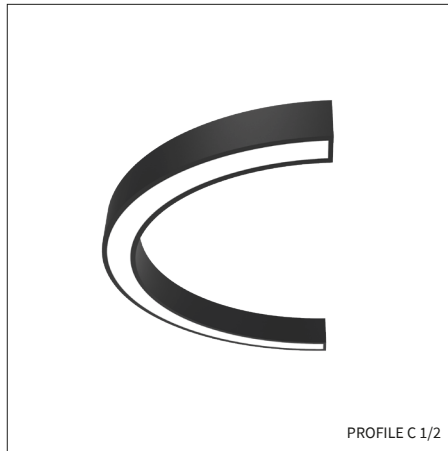
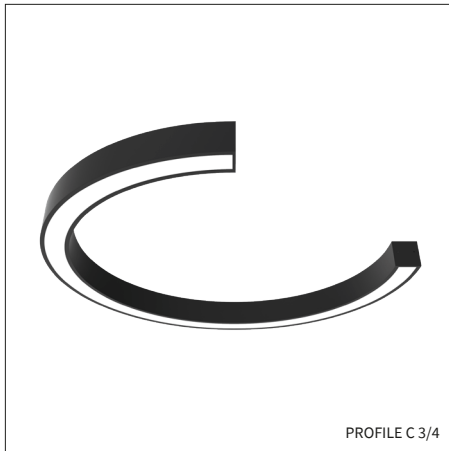
Bespoke size & product features available

LiteTime reserves the right to modify or change technical, construction or LED specifications due to continuous improvements of our products and light sources. The light source in this product can be replaced with an equivalent module made by Philips, Osram or Tridonic.

DIFFUSER



White opalic



ARTICLE NUMBER	DIAMETER	GROSS LUMEN OUTPUT	NETTO LUMEN OUTPUT	OUTPUT POWER	MODULE EFFICIENCY	COLOR TEMPERATURE	CRI	TC LIFETIME
----------------	----------	--------------------	--------------------	--------------	-------------------	-------------------	-----	-------------

PROFILE C

Δ See colors

9280.120.30.Δ	Ø 1200mm	11000lm	7500lm	73W	151lm/W	3000K	>80	50.000 Hrs
9280.120.35.Δ	Ø 1200mm	11000lm	7500lm	73W	151lm/W	3500K	>80	50.000 Hrs
9280.120.40.Δ	Ø 1200mm	11000lm	7500lm	73W	151lm/W	4000K	>80	50.000 Hrs

PROFILE C 3/4

9281.120.30.Δ	Ø 1200mm	9900lm	6500lm	60W	165lm/W	3000K	>80	50.000 Hrs
9281.120.35.Δ	Ø 1200mm	9900lm	6500lm	60W	165lm/W	3500K	>80	50.000 Hrs
9281.120.40.Δ	Ø 1200mm	9900lm	6500lm	60W	165lm/W	4000K	>80	50.000 Hrs

PROFILE C 1/2

9282.120.30.Δ	Ø 1200mm	6600lm	4400lm	41W	161lm/W	3000K	>80	50.000 Hrs
9282.120.35.Δ	Ø 1200mm	6600lm	4400lm	41W	161lm/W	3500K	>80	50.000 Hrs
9282.120.40.Δ	Ø 1200mm	6600lm	4400lm	41W	161lm/W	4000K	>80	50.000 Hrs

PROFILE C 1/4

9283.120.30.Δ	Ø 1200mm	3300lm	2300lm	22W	150lm/W	3000K	>80	50.000 Hrs
9283.120.35.Δ	Ø 1200mm	3300lm	2300lm	22W	150lm/W	3500K	>80	50.000 Hrs
9283.120.40.Δ	Ø 1200mm	3300lm	2300lm	22W	150lm/W	4000K	>80	50.000 Hrs