

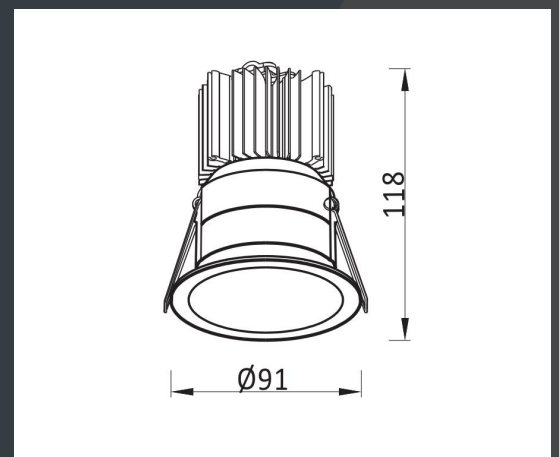
Colours	□ ■
Housing	Aluminium, die cast
Fixture type	Recessed
Module	CREE LED module
Driver	OSRAM (TRIAC dimmable)
Light Output module	800lm, 1400lm*
CCT	2700K, 3000K, 4000K*
CRI	>80Ra (3000K), >90Ra (2700K or 4000K)
Beam angles	24°
Rotatable	0°
Tiltable	0°
LED modules	Standard
Dimming Options	TRIAC (standard), DALI
Options	N/A
Expected Lifetime	35.000h (L70/B30)
Cut out Size	Ø78 x H118 mm
Photobiological safety	RG1 unlimited
Power factor	> 0.9
UGR	> 15
LOR	> 90%
Colour consistency.	3 SDCM
Warranty	3 years warranty on LED module and driver



Net Weight	Dimensions carton L x W x H	Qty outer carton
421 grams	13 x 13 x 14 cm	25

## Available LED Modules

Description	Lumen	Watt	Lm/W	CCT	CRI
CREE LED's	800lm	7W	114	927, 830, 940PW	>80, >90
CREE LED's	1400lm	13W	108	927, 830, 940PW	>80, >90



LED modules:

<sup>1)</sup> Lumen output of LED module (COB)

<sup>2)</sup> Mentioned wattage applies for the COB only. Mentioned wattage applies for the most efficient CCT.

The power of the complete fixture will be slightly higher due to the power consumption of the driver.

<sup>3)</sup> Values shown are average values and are subject to +/- 10% tolerance (set by international standards). The colour temperature is subject to a tolerance of up to +/- 150 Kelvin compared to the nominal value.

Technical data can be changed by Internova without prior notice.