

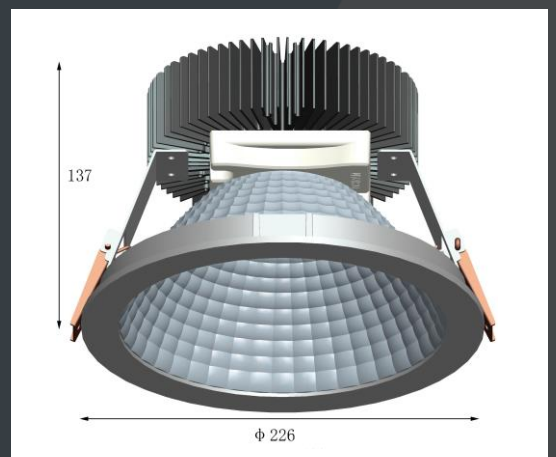
Colours	□ ■
Housing	Aluminium, die cast
Fixture type	Recessed
Module	Philips Fortimo DLM FLEX G2 LED module
Driver	Philips Xitanium external LED driver with strain relief (included)
Light Output module	1100lm, 2000lm, 3000lm, 4500lm
CCT	3000K, 4000K
CRI	>80Ra
Beam angles	70°
LED modules	Standard
Dimming Options	TRIAC, DALI, 1-10V, Casambi
Options	IP44 silicone set + frontglass, Emergency unit
Expected Lifetime	50.000h (L80/B10)
Cut out Size	Ø215 x H137mm
Photobiological safety	RG1 unlimited
Power factor	> 0.9
LOR	> 90%
Colour consistency.	3 SDCM
Warranty	5 years warranty on LED module and driver



Net Weight	Dimensions carton L x W x H	Qty outer carton
grams	000 x 000 x 000 cm	

## Available LED Modules

Description	Lumen	Watt	Lm/W	CCT	CRI
Philips Fortimo DLM FLEX G2	1100lm	9W	122	830, 840	>80
Philips Fortimo DLM FLEX G2	2000lm	16W	125	830, 840	>80
Philips Fortimo DLM FLEX G2	3000lm	24W	125	830, 840	>80
Philips Fortimo DLM FLEX G2	4500lm	42W	107	830, 840	>80



LED modules  
Standard: CRI>80 and >90 in CCT 2700K, 3000K, 4000K  
Premium White (PW): for fresh white and depth of colour in retail environments  
1) Lumen output of LED module (COB)

2) Mentioned wattage applies for the COB only. Mentioned wattage applies for the most efficient CCT. The power of the complete fixture will be slightly higher due to the power consumption of the driver.

3) Values shown are average values and are subject to +/- 10% tolerance (set by international standards). The colour temperature is subject to a tolerance of up to +/- 150 Kelvin compared to the nominal value. Technical data can be changed by Internova without prior notice.