



LINKON 14

PRODUCT MATERIAL	Aluminium and steel
LIGHT SOURCE	Philips SLM G7
MODULE LIFETIME	Approx. 50.000 hours
DRIVER	Including Philips Xitanium driver
COLORS (Δ)	<ul style="list-style-type: none"> ○ 3 = RAL 9003 white ● 5 = RAL 9005 black ● 6 = RAL 9006 alu
BEAM ANGLE	
ADJUSTABLE	No
REFLECTOR	Aluminium glossy
SIZE	140 X 130mm



OPTIONS

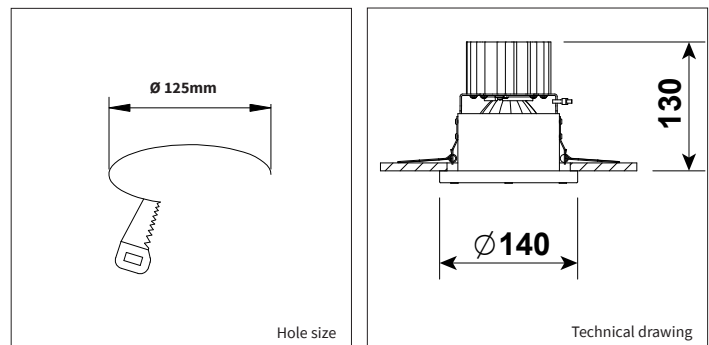
LINKON 14

COLORS	Available in all RAL colours on request Additional price + 10%
EMERGENCY BALLAST	Art. no.: 0187.003.01.0 - 1 hour
DIMMABLE	DALI dimmable
DIFFUSER	Clear glass in standard Frosted on request

INFORMATION

WARRANTY	5 Years
-----------------	---------

LiteTime International reserves the right to modify or change technical, construction or LED specifications due to continuous improvements of our products and light sources. The light source in this product can be replaced with an equivalent module made by Philips, Osram or Tridonic.



Hole size

Technical drawing

AVAILABLE SLM OPTIONS

To order the correct product, please replace **COB*** in the article number field with the COB code found on the last page of the catalogue

ARTICLE NUMBER	LUMINOUS FLUX	BRAND	OUTPUT POWER	COLOUR TEMPERATURE	CRI	SETTING	POWER FACTOR
8014.COB*.24.Δ	1100lm	Philips SLM G7	6W	827 / 830 / 835 / 840 / 850	>80	High Efficiency	>0,9
8014.COB*.24.Δ	1100lm	Philips SLM G7	8W	927 / 930	>90	High Efficiency	>0,9
8014.COB*.24.Δ	1100lm	Philips SLM G7	6W	830 Premium White	>80	High Efficiency	>0,9
8014.COB*.24.Δ	1100lm	Philips SLM G7	7W	930 / 935 / 940 Premium White	>90	High Efficiency	>0,9
8014.COB*.24.Δ	1100lm	Philips SLM G7	7W	930 Premium Color	>90	High Efficiency	>0,9
8014.COB*.24.Δ	1100lm	Philips SLM G6	11W	930 Crisp White	>90	High Efficiency	>0,9
8014.COB*.24.Δ	1100lm	Philips SLM G7	12W	925 Food Warm White	84	High Efficiency	>0,9
8014.COB*.24.Δ	1100lm	Philips SLM G7	11W	930 Food Premium Red	88	High Efficiency	>0,9
8014.COB*.24.Δ	2000lm	Philips SLM G7	12W	827 / 830 / 835 / 840 / 850	>80	High Efficiency	>0,9
8014.COB*.24.Δ	2000lm	Philips SLM G7	17W	927 / 930	>90	High Efficiency	>0,9
8014.COB*.24.Δ	2000lm	Philips SLM G7	12W	830 Premium White	>80	High Efficiency	>0,9
8014.COB*.24.Δ	2000lm	Philips SLM G7	17W	930 / 935 / 940 Premium White	>90	High Efficiency	>0,9
8014.COB*.24.Δ	2000lm	Philips SLM G7	17W	930 Premium Color	>90	High Efficiency	>0,9
8014.COB*.24.Δ	2000lm	Philips SLM G6	21W	930 Crisp White	>90	High Efficiency	>0,9
8014.COB*.24.Δ	2000lm	Philips SLM G7	22W	925 Food Warm White	84	High Efficiency	>0,9
8014.COB*.24.Δ	2000lm	Philips SLM G67	20W	930 Food Premium Red	88	High Efficiency	>0,9
8014.COB*.24.Δ	3000lm	Philips SLM G7	19W	827 / 830 / 835 / 840 / 850 / 857	>80	High Efficiency	>0,9
8014.COB*.24.Δ	3000lm	Philips SLM G7	23W	927 / 930	>90	High Efficiency	>0,9
8014.COB*.24.Δ	3000lm	Philips SLM G7	20W	830 Premium White	>80	High Efficiency	>0,9
8014.COB*.24.Δ	3000lm	Philips SLM G7	23W	930 / 935 / 940 Premium White	>90	High Efficiency	>0,9
8014.COB*.24.Δ	3000lm	Philips SLM G7	25W	930 Premium Color	>90	High Efficiency	>0,9