



LOOK

PRODUCT MATERIAL	Die-cast aluminium
LIGHT SOURCE	Bridgelux V8 array
MODULE LIFETIME	Approx. 35.000 hours
DRIVER	Including Phase cut dimmable driver
COLORS (Δ)	● 5 = RAL 9005 black ○ + ● 35 = RAL 9003 white + RAL 9005 black
BEAM ANGLE	▲ 32°
ADJUSTABLE	350° rotational 90° rotational spot head
SIZE	100 X 103mm



OPTIONS

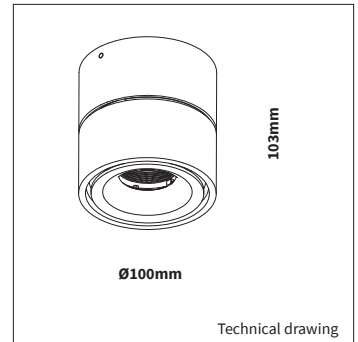
OPTION DRIVERS		
	1/10V	500mA 7-10W Art. no.: 0110.500.30.2
	DALI	500mA 6-10W Art. no.: 0110.500.40.2

INFORMATION

WARRANTY	3 Years
-----------------	---------

LiteTime International reserves the right to modify or change technical, construction or LED specifications due to continuous improvements of our products and lightsources.

LOOK



ART.NR.	LAMP TYPE	BRAND	LUMINOUS FLUX	OUTPUT POWER	MODULE EFFICIENCY	COLOUR TEMPERATURE	CRI	TC LIFETIME	mA
6022.027.30. Δ	V8 Array	Bridgelux	845lm	9,3W	9,2lm/W	2700K	>90	35.000 Hrs	500mA

Δ see colors