



<b>PRODUCT MATERIAL</b>	Die-cast aluminium
<b>LIGHT SOURCE</b>	Philips SLM G7
<b>MODULE LIFETIME</b>	Approx. 50.000 hours
<b>DRIVER</b>	Including Xitanium driver
<b>COLORS (Δ)</b>	<input type="radio"/> 3 = RAL 9003 white <input type="radio"/> 5 = RAL 9005 black <input type="radio"/> 6 = RAL 9006 alu
<b>BEAM ANGLE</b>	24°
<b>ADJUSTABLE</b>	Yes
<b>SIZE</b>	190 X 200 X 145mm



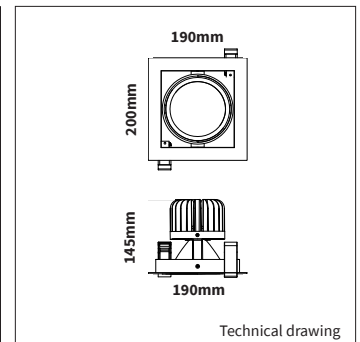
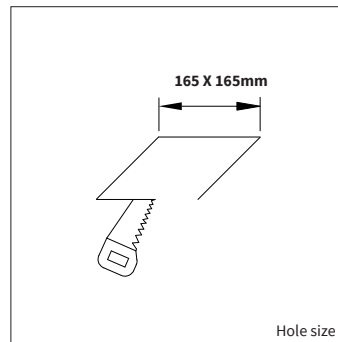
### OPTIONS

<b>OPTIONAL BEAM ANGLE</b>	36° Art. no.: 4394.036.00.0
	60° Art. no.: 4394.060.00.0
<b>EMERGENCY BALLAST</b>	Art. no.: 0187.003.01.0 1 hour
<b>DIFFUSER</b>	Art. no.: 0183.999.99.0
<b>DIFFUSER RING</b>	Wide hole Art. no.: 0189.900.99.0
	Narrow hole Art. no.: 0189.999.99.0
	DALI dimmable driver
<b>DIMMABLE</b>	DALI dimmable driver
<b>OPTION POWER CABLE</b> Connected to driver/fixture	Europlug 2000mm 2 X 0,75 Art. no.: 0502.075.20.0
	Wieland GST 18/3 male 2000mm 3 X 0,75 Art. no.: 0501.183.20.0
	Wieland T connector GST 18/3 200mm 3 X 0,75 Art. no.: 0500.183.20.0

LUXX 1

### INFORMATION

<b>WARRANTY</b>	5 Years
-----------------	---------



### 3 and 4 light luminaire available on request

LiteTime International reserves the right to modify or change technical, construction or LED specifications due to continuous improvements of our products and light sources. The light source in this product can be replaced with an equivalent module made by Philips, Osram or Tridonic.

[This luminaire is also available in 1100lm SLM on request](#)

### AVAILABLE SLM OPTIONS

To order the correct product, please replace **COB\*** in the article number field with the COB code found on the last page of the catalogue

ARTICLE NUMBER	LUMINOUS FLUX	BRAND	OUTPUT POWER	COLOUR TEMPERATURE	CRI	SETTING	POWER FACTOR
4394. <b>COB*</b> .24.Δ	2000lm	Philips SLM G7	12W	827 / 830 / 835 / 840 / 850	>80	High Efficiency	>0,9
4394. <b>COB*</b> .24.Δ	2000lm	Philips SLM G7	17W	927 / 930	>90	High Efficiency	>0,9
4394. <b>COB*</b> .24.Δ	2000lm	Philips SLM G7	12W	830 Premium White	>80	High Efficiency	>0,9
4394. <b>COB*</b> .24.Δ	2000lm	Philips SLM G7	17W	930 / 935 / 940 Premium White	>90	High Efficiency	>0,9
4394. <b>COB*</b> .24.Δ	2000lm	Philips SLM G7	17W	930 Premium Color	>90	High Efficiency	>0,9
4394. <b>COB*</b> .24.Δ	2000lm	Philips SLM G6	21W	930 Crisp White	>90	High Efficiency	>0,9
4394. <b>COB*</b> .24.Δ	2000lm	Philips SLM G7	22W	925 Food Warm White	84	High Efficiency	>0,9
4394. <b>COB*</b> .24.Δ	2000lm	Philips SLM G7	20W	930 Food Premium Red	88	High Efficiency	>0,9
4394. <b>COB*</b> .24.Δ	3000lm	Philips SLM G7	19W	827 / 830 / 835 / 840 / 850 / 857	>80	High Efficiency	>0,9
4394. <b>COB*</b> .24.Δ	3000lm	Philips SLM G7	23W	927 / 930	>90	High Efficiency	>0,9
4394. <b>COB*</b> .24.Δ	3000lm	Philips SLM G7	20W	830 Premium White	>80	High Efficiency	>0,9
4394. <b>COB*</b> .24.Δ	3000lm	Philips SLM G7	23W	930 / 935 / 940 Premium White	>90	High Efficiency	>0,9
4394. <b>COB*</b> .24.Δ	3000lm	Philips SLM G7	25W	930 Premium Color	>90	High Efficiency	>0,9
4394. <b>COB*</b> .24.Δ	3000lm	Philips SLM G6	32W	930 Crisp White	>90	High Efficiency	>0,9
4394. <b>COB*</b> .24.Δ	4500lm	Philips SLM G7	29W	827 / 830 / 835 / 840 / 850 / 857	>80	High Efficiency	>0,9
4394. <b>COB*</b> .24.Δ	4500lm	Philips SLM G7	26W	927 / 930	>90	High Efficiency	>0,9
4394. <b>COB*</b> .24.Δ	4500lm	Philips SLM G7	30W	830 Premium White	>80	High Efficiency	>0,9

