

METEOR 30



PRODUCT MATERIAL	Aluminium and poly-carbonate
LIGHT SOURCE	SMD LED
MODULE LIFETIME	Approx. 40.000 hours
DRIVER	Including driver
COLORS	○ 3 = RAL 9003 white
BEAM ANGLE	▲ 120° Wide beam
REFLECTOR PLATE	Opal poly-carbonate diffuser
ADJUSTABLE	No
SIZE	300 X 48mm



METEOR 30

OPTIONS

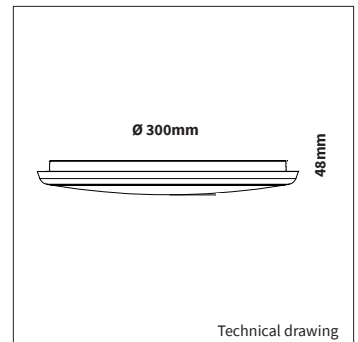
EMERGENCY MODULE	Emergency time: 3 hours
SENSOR	Daylight and microwave sensor: Detection area: 140° with 5-7 m distance can be reduced by DIPswitches 25%/50%/75%/100% Hold time: 10min/3min/60S/20S Daylight sensor: 5Lux/10Lux/50Lux/Disable

INFORMATION

WARRANTY	3 Years
-----------------	---------

IP 54: For indoor use only

LiteTime International reserves the right to modify or change technical, construction or LED specifications due to continuous improvements of our products and light sources. The light source in this product can be replaced with an equivalent module made by Philips, Osram or Tridonic.



ART.NR.	LAMP TYPE	BRAND	LUMINOUS FLUX	OUTPUT POWER	MODULE EFFICIENCY	COLOUR TEMPERATURE	CRI	TC LIFETIME
5142.300.18.3	SMD LED	Epistar	1620lm	18W	90lm/W	3000K	>80	40.000 Hrs
5143.300.18.3EM	SMD LED	Epistar	1620lm	18W	90lm/W	3000K	>80	40.000 Hrs
5142.300.18.3MDS	SMD LED	Epistar	1620lm	18W	90lm/W	3000K	>80	40.000 Hrs