



NITRO 13

| | |
|-------------------------|---|
| PRODUCT MATERIAL | Die-cast aluminium |
| LIGHT SOURCE | QR70 LED spot |
| MODULE LIFETIME | Approx. 30.000 hours |
| DRIVER | Fixture excluding driver, SELECT OPTION |
| COLORS (Δ) | <input type="radio"/> 3 = RAL 9003 white <input checked="" type="radio"/> 5 = RAL 9005 black |
| BEAM ANGLE | 24° |
| ADJUSTABLE | Yes |
| SIZE | 130 X 130 X 95mm |

OPTIONS

| | | |
|--|---|---------------------------------------|
| OPTION DRIVERS | On/off | 150mA 6-8W Art. no.: 0106.150.10.0 |
| | Phase cut | 150mA 6W Art. no.: 0106.150.20.3 |
| | 1/10V | 140mA 1-8W Art. no.: 0108.140.30.0 |
| | DALI | 150mA 3-8W Art. no.: 0118.150.40.1 |
| OPTION POWER CABLE Connected to driver/fixture | Europlug 2000mm 2 X 0,75 Art. no.: 0502.075.20.0 | |
| | Wieland GST 18/3 male 2000mm 3 X 0,75 Art. no.: 0501.183.20.0 | |
| | Wieland T connector GST 18/3 200mm 3 X 0,75 Art. no.: 0500.183.20.0 | |

INFORMATION

| | |
|-----------------|---------|
| WARRANTY | 2 Years |
|-----------------|---------|

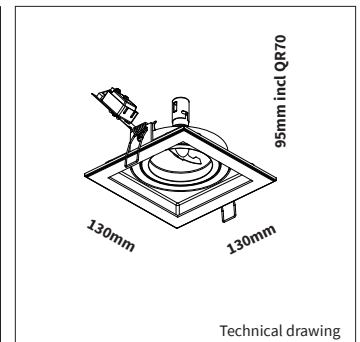
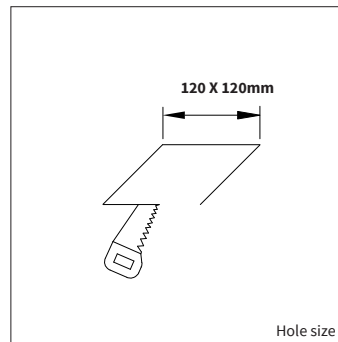
Full warranty only applies when fixture is purchased in combination with recommended driver.

Including an assemble plate to mount a single unit into a double, triple, quadruple or "L" shape unit easily in a short time

LiteTime International reserves the right to modify or change technical, construction or LED specifications due to continuous improvements of our products and light sources. The light source in this product can be replaced with an equivalent module made by Philips, Osram or Tridonic.



NITRO 13



| ART.NR. | LAMP TYPE | BRAND | LUMINOUS FLUX | OUTPUT POWER | MODULE EFFICIENCY | COLOUR TEMPERATURE | CRI | TC LIFETIME | BEAM ANGLE | mA |
|---------------|-----------|-------|---------------|--------------|-------------------|--------------------|-----|-------------|------------|-------|
| Δ see colors | | | | | | | | | | |
| 4911.070.24.Δ | QR70 LED | KL | 300lm | 6W | 50lm/W | 2700K | >90 | 30.000 Hrs | 24° | 150mA |
| 4911.080.24.Δ | QR70 LED | KL | 300lm | 6W | 50lm/W | 2000 - 2700K | >90 | 30.000 Hrs | 24° | 150mA |