



## ORBIT 30 LOW

<b>PRODUCT MATERIAL</b>	Steel and aluminium
<b>LIGHT SOURCE</b>	Philips LED module
<b>MODULE LIFETIME</b>	Approx. 50.000 hours
<b>DRIVER</b>	Including integrated driver
<b>COLORS (Δ)</b>	<ul style="list-style-type: none"> <li>○ 3 = RAL 9003 white</li> <li>● 5 = RAL 9005 black</li> <li>● 6 = RAL 9006 alu</li> </ul>
<b>REFLECTOR</b>	Aluminium white
<b>SIZE</b>	300 X 75 / 105mm



### OPTIONS

<b>COLORS</b>	Available in all RAL colours on request Additional price + 10%
<b>DIMMABLE</b>	DALI dimmable
<b>DIFFUSER</b>	White opalic diffuser in standard Microprismatic on request
<b>IP CLASS</b>	IP20 in standard, IP44 on request

ORBIT 30 LOW

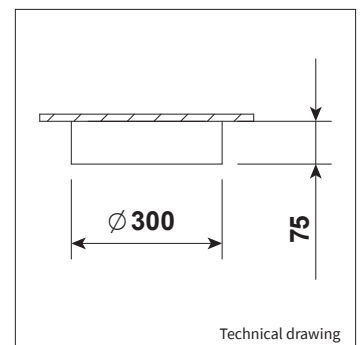
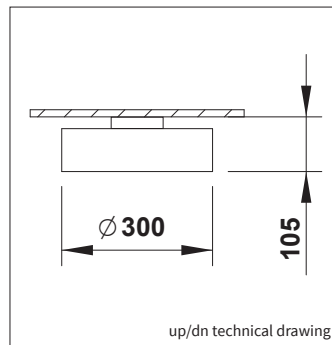
### INFORMATION

<b>WARRANTY</b>	5 Years
-----------------	---------

Available in surface mounted or up/dn version

Also available in pendant version

LiteTime International reserves the right to modify or change technical, construction or LED specifications due to continuous improvements of our products and light sources. The light source in this product can be replaced with an equivalent module made by Philips, Osram or Tridonic.



ART.NR.	LAMP TYPE	BRAND	LIGHT OUTPUT	MODULE POWER	MODULE EFFICIENCY	CORRELATED COLOUR TEMPERATURE	COLOUR RENDERING INDEX	TC LIFE
Δ see colors								
5003.300.30Δ	LED module	Philips	2500lm	21W	119lm/W	3000K	>80	50.000 Hrs
5003.400.40.Δ	LED module	Philips	2500lm	21W	119lm/W	4000K	>80	50.000 Hrs
<b>surface up/dn</b>								
5004.400.30.Δ	LED module	Philips	2500lm	21W	119lm/W	3000K	>80	50.000 Hrs
5004.400.40.Δ	LED module	Philips	2500lm	21W	119lm/W	4000K	>80	50.000 Hrs