



ORBIT 50 LOW

PRODUCT MATERIAL	Steel and aluminium
LIGHT SOURCE	Philips LED module
MODULE LIFETIME	Approx. 50.000 hours
DRIVER	Including integrated driver
COLORS (Δ)	<ul style="list-style-type: none"> ○ 3 = RAL 9003 white ● 5 = RAL 9005 black ● 6 = RAL 9006 alu
REFLECTOR	Aluminium white
SIZE	500 X 75 / 105mm



OPTIONS

COLORS	Available in all RAL colours on request Additional price + 10%
EMERGENCY BALLAST	Art. no.: 0187.003.01.0 - 1 hour
DIMMABLE	DALI dimmable
DIFFUSER	White opalic diffuser in standard Microprismatic on request
IP CLASS	IP20 in standard, IP44 on request
MOVEMENT SENSOR	On request
DAYLIGHT CONTROL SENSOR	On request

INFORMATION

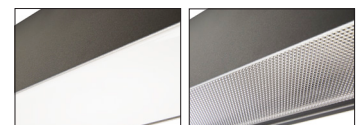
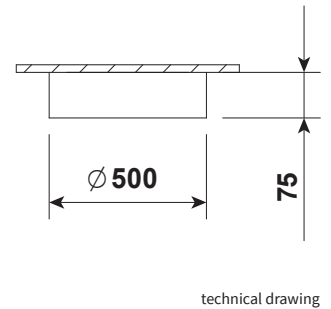
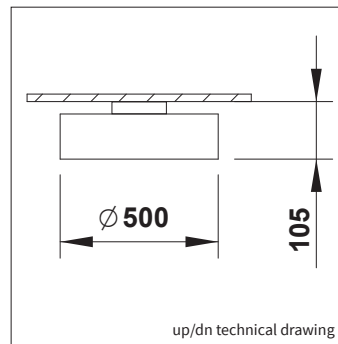
WARRANTY	5 Years
-----------------	---------

Available in surface mounted or up/dn version

Also available in pendant version

LiteTime International reserves the right to modify or change technical, construction or LED specifications due to continuous improvements of our products and light sources. The light source in this product can be replaced with an equivalent module made by Philips, Osram or Tridonic.

ORBIT 50 LOW



ART.NR.	LAMP TYPE	BRAND	LIGHT OUTPUT	MODULE POWER	MODULE EFFICIENCY	CORRELATED COLOUR TEMPERATURE	COLOUR RENDERING INDEX	TC LIFE
Δ see colors								
5003.500.30.Δ	LED module	Philips	5000lm	35W	143lm/W	3000K	>80	50.000 Hrs
5003.500.40.Δ	LED module	Philips	5000lm	35W	143lm/W	4000K	>80	50.000 Hrs
surface up/dn								
5004.500.30.Δ	LED module	Philips	5000lm	35W	143lm/W	3000K	>80	50.000 Hrs
5004.500.40.Δ	LED module	Philips	5000lm	35W	143lm/W	4000K	>80	50.000 Hrs