



PINO

PRODUCT MATERIAL	Die-cast aluminium
LIGHT SOURCE	Bridgelux V8 array
MODULE LIFETIME	Approx. 35.000 hours
DRIVER	Including Phase cut dimmable driver
COLORS (Δ)	○ 3 = RAL 9003 white ● 5 = RAL 9005 black
BEAM ANGLE	▲ 33°
ADJUSTABLE	Horizontally and vertically rotational
SIZE	175 x 148 x 50mm



OPTIONS

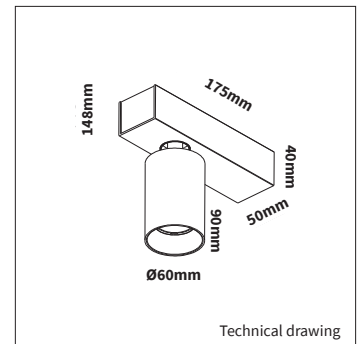
OPTIONAL BEAM ANGLE	▲ 22° Art. no.: 3056.010.22.0 ▲ 50° Art. no.: 3056.010.50.0
ANTI-GLARE RING	Black anti-glare ring Gold anti-glare ring Art. no.: 3056.922.99.9
HONEYCOMB	Art. no.: 3056.933.94.0
OPTION DRIVERS	1/10V 500mA 7,5-10W Art. no.: 0110.500.30.0 DALI 500mA 6-10W Art. no.: 0110.500.40.1

PINO

INFORMATION

WARRANTY	3 Years
-----------------	---------

LiteTime International reserves the right to modify or change technical, construction or LED specifications due to continuous improvements of our products and light sources. The light source in this product can be replaced with an equivalent module made by Philips, Osram or Tridonic.



Anti-glare ring



Honeycomb

ART.NR.	LAMP TYPE	BRAND	LUMINOUS FLUX	OUTPUT POWER	MODULE EFFICIENCY	COLOUR TEMPERATURE	CRI	TC LIFETIME	mA
Δ see colors									
5030.180.33.Δ	V8 array	Bridgelux	745lm	9,2W	81lm/W	2700K	>90	35.000 Hrs	500mA