



PRODUCT MATERIAL	Die-casting aluminium
LIGHT SOURCE	Lumileds 3030
MODULE LIFETIME	approx. 35.000 hours
DRIVER	Including mean well driver
COLORS	● 7 = RAL 9007 dark grey
BEAM ANGLE	▲ 120°
ADJUSTABLE	90° adjustable head
SIZE	200 X 207mm

OPTIONS

DAYLIGHT SENSOR	Turn on light level: 10-16 Lux Turn off light level: >65 Lux Art. no.: 8252.999.99.0
------------------------	--

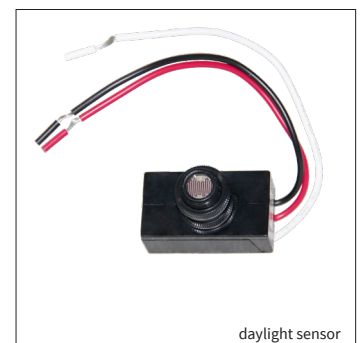
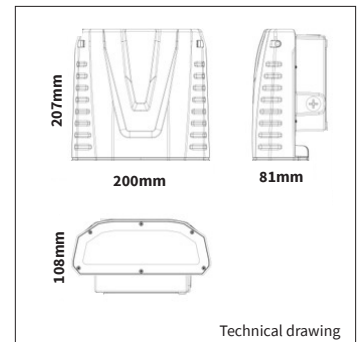
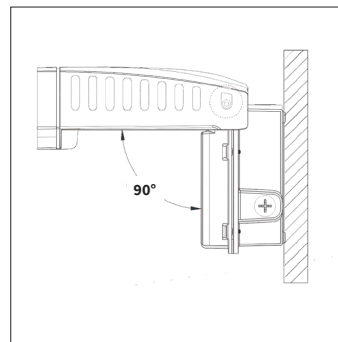
INFORMATION

WARRANTY	3 Years
-----------------	---------

LiteTime International reserves the right to modify or change technical, construction or LED specifications due to continuous improvements of our products and lightsources.



WALLY



ART.NR.	LAMP TYPE	BRAND	LUMINOUS FLUX	OUTPUT POWER	MODULE EFFICIENCY	COLOUR TEMPERATURE	CRI	TC LIFETIME	mA
8252.030.00.7	3030	Lumileds	3600lm	30W	120lm/W	4000K	>80	35,000 Hrs	650mA
8252.050.00.7	3030	Lumileds	6000lm	50W	120lm/W	4000K	>80	35,000 Hrs	650mA