



## CALYPSO S

<b>PRODUCT MATERIAL</b>	Die-cast aluminium
<b>LIGHT SOURCE</b>	Philips SLM G7
<b>MODULE LIFETIME</b>	Approx. 50.000 hours
<b>DRIVER</b>	Including Xitanium driver
<b>COLORS (Δ)</b>	○ 3 = RAL 9003 white ● 5 = RAL 9005 black
<b>BEAM ANGLE</b>	24°
<b>ADJUSTABLE</b>	Yes
<b>SIZE</b>	172 X 134mm

### OPTIONS

<b>OPTIONAL BEAM ANGLE</b>	18°	Art. no.: 3045.018.00.0
	36°	Art. no.: 3045.036.00.0
	60°	Art. no.: 3045.060.00.0
	80°	Art. no.: 3045.080.00.0
<b>EMERGENCY BALLAST</b>	Art. no.: 0187.003.01.0 1 hour	
<b>DIMMABLE</b>	DALI dimmable driver	
<b>OPTION POWER CABLE</b> Connected to driver/fixture	Europlug 2000mm 2 X 0,75 Art. no.: 0502.075.20.0	
	Wieland GST 18/3 male 2000mm 3 X 0,75 Art. no.: 0501.183.20.0	
	Wieland T connector GST 18/3 200mm 3 X 0,75 Art. no.: 0500.183.20.0	

### INFORMATION

<b>WARRANTY</b>	5 Years
-----------------	---------

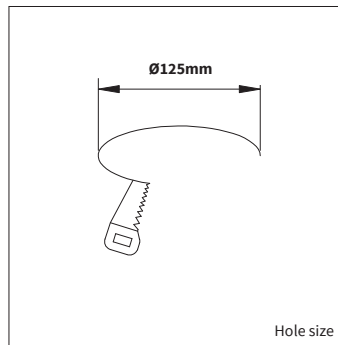
This luminaire is equipped with an innovative lens technology instead of a reflector  
**High quality led lens technology + 10% more light output**

LiteTime International reserves the right to modify or change technical, construction or LED specifications due to continuous improvements of our products and light sources. The light source in this product can be replaced with an equivalent module made by Philips, Osram or Tridonic.

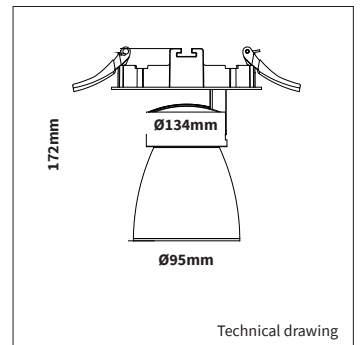
This luminaire is also available in 1100lm SLM on request



CALYPSO S



Hole size



Technical drawing

### AVAILABLE SLM OPTIONS

To order the correct product, please replace **COB\*** in the article number field with the COB code found on the last page of the catalogue

ARTICLE NUMBER Δ See colors	LUMINOUS FLUX	BRAND	OUTPUT POWER	COLOUR TEMPERATURE	CRI	SETTING	POWER FACTOR
4029.COB*.24.Δ	2000lm	Philips SLM G7	12W	827 / 830 / 835 / 840 / 850	>80	High Efficiency	>0,9
4029.COB*.24.Δ	2000lm	Philips SLM G7	17W	927 / 930	>90	High Efficiency	>0,9
4029.COB*.24.Δ	2000lm	Philips SLM G7	12W	830 Premium White	>80	High Efficiency	>0,9
4029.COB*.24.Δ	2000lm	Philips SLM G7	17W	930 / 935 / 940 Premium White	>90	High Efficiency	>0,9
4029.COB*.24.Δ	2000lm	Philips SLM G7	17W	930 Premium Color	>90	High Efficiency	>0,9
4029.COB*.24.Δ	2000lm	Philips SLM G6	21W	930 Crisp White	>90	High Efficiency	>0,9
4029.COB*.24.Δ	2000lm	Philips SLM G7	22W	925 Food Warm White	84	High Efficiency	>0,9
4029.COB*.24.Δ	2000lm	Philips SLM G7	20W	930 Food Premium Red	88	High Efficiency	>0,9
4029.COB*.24.Δ	3000lm	Philips SLM G7	19W	827 / 830 / 835 / 840 / 850 / 857	>80	High Efficiency	>0,9
4029.COB*.24.Δ	3000lm	Philips SLM G7	23W	927 / 930	>90	High Efficiency	>0,9
4029.COB*.24.Δ	3000lm	Philips SLM G7	20W	830 Premium White	>80	High Efficiency	>0,9
4029.COB*.24.Δ	3000lm	Philips SLM G7	23W	930 / 935 / 940 Premium White	>90	High Efficiency	>0,9
4029.COB*.24.Δ	3000lm	Philips SLM G7	25W	930 Premium Color	>90	High Efficiency	>0,9
4029.COB*.24.Δ	3000lm	Philips SLM G6	32W	930 Crisp White	>90	High Efficiency	>0,9
4029.COB*.24.Δ	3000lm	Philips SLM G7	34W	930 Food Premium Red	88	High Efficiency	>0,9
4029.COB*.24.Δ	4500lm	Philips SLM G7	29W	827 / 830 / 835 / 840 / 850 / 857	>80	High Efficiency	>0,9
4029.COB*.24.Δ	4500lm	Philips SLM G7	26W	927 / 930	>90	High Efficiency	>0,9
4029.COB*.24.Δ	4500lm	Philips SLM G7	30W	830 Premium White	>80	High Efficiency	>0,9
4029.COB*.24.Δ	4500lm	Philips SLM G7	35W	930 / 935 / 940 Premium White	>90	High Efficiency	>0,9
4029.COB*.24.Δ	4500lm	Philips SLM G7	37W	930 Premium Color	>90	High Efficiency	>0,9