



## BLOCK 10

<b>PRODUCT MATERIAL</b>	Die-cast aluminium
<b>LIGHT SOURCE</b>	Bridgelux V8
<b>MODULE LIFETIME</b>	Approx. 35.000 hours
<b>DRIVER</b>	Fixture excluding driver, select option
<b>COLORS (Δ)</b>	<input type="radio"/> 3 = RAL 9003 white <input checked="" type="radio"/> 5 = RAL 9005 black <input type="radio"/> 6 = RAL 9006 alu
<b>SIZE</b>	102 X 105 X 102mm

### OPTIONS

<b>OPTIONS DRIVERS</b>	Fixed output
	art. no.:
	Phase-cut dimmable
	art. no.:
	1/10V dimmable
	art. no.:
	DALI dimmable
	art. no.:

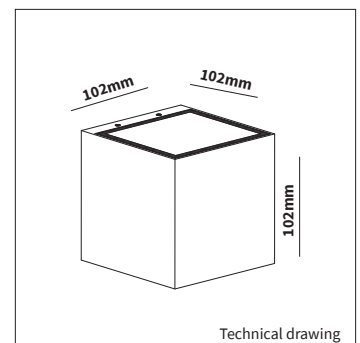


### INFORMATION

<b>WARRANTY</b>	2 Years
-----------------	---------

up/dn including 2x IP65 glass cover

LiteTime International reserves the right to modify or change technical, construction or LED specifications due to continuous improvements of our products and lightsources.



ART.NR.	LAMP TYPE	BRAND	LUMINOUS FLUX	OUTPUT POWER	MODULE EFFICIENCY	COLOUR TEMPERATURE	CRI	TC LIFETIME	mA
6017.990.99.Δ	V8 Array	Bridgelux	565lm	6,2W	91lm/W	2700K	>80	35.000 Hrs	350mA

Δ see colors