



PRODUCT MATERIAL	Stainless steel and aluminium
LIGHT SOURCE	Osram LED Plate
MODULE LIFETIME	Approx. 50.000 hours
DRIVER	Including integrated driver
COLORS (Δ)	<ul style="list-style-type: none"> ○ 3 = RAL 9003 white ● 5 = RAL 9005 black ● 6 = RAL 9006 alu
REFLECTOR PLATE	Clear glass
ADJUSTABLE	No
SIZE	411 X 301 X 301mm



OPTIONS

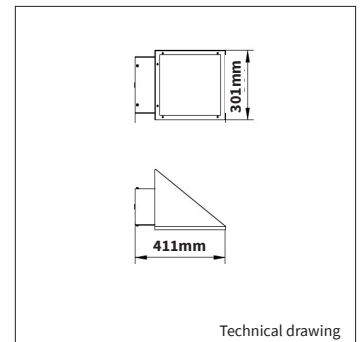
COLORS	Available in all RAL colours on request Additional price + 10%
DIMMABLE	DALI dimmable on request
DIFFUSER	Clear glass or any other on request

INFORMATION

WARRANTY	5 Years
-----------------	---------

LiteTime International reserves the right to modify or change technical, construction or LED specifications due to continuous improvements of our products and lightsources. The light source in this product can be replaced with an equivalent module made by Philips, Osram or Tridonic.

ATIM



ART.NR.	LAMP TYPE	BRAND	LUMINOUS FLUX	OUTPUT POWER	MODULE EFFICIENCY	COLOUR TEMPERATURE	CRI	TC LIFETIME
Δ see colors								
8243.183.91.Δ	LED Plate	Osram	2500lm	18W	138lm/W	3000K	>80	50.000 Hrs
8243.186.91.Δ	LED Plate	Osram	2500lm	18W	138lm/W	4000K	>80	50.000 Hrs