



## ALBUM

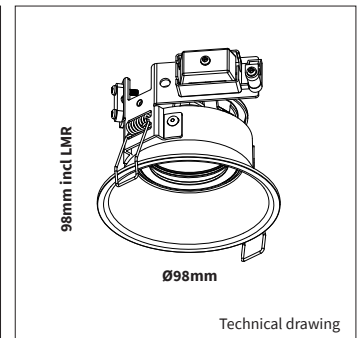
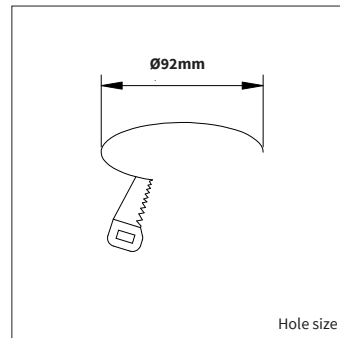
<b>PRODUCT MATERIAL</b>	Die-cast Aluminium
<b>LIGHT SOURCE</b>	LMR50
<b>MODULE LIFETIME</b>	Approx. 30.000 hours
<b>DRIVER</b>	Fixture excluding driver, <b>SELECT OPTION</b>
<b>COLORS (Δ)</b>	<input type="radio"/> 3 = RAL 9003 white <input checked="" type="radio"/> 5 = RAL 9005 black <input type="radio"/> 6 = RAL 9006 alu
<b>BEAM ANGLE</b>	
<b>ADJUSTABLE</b>	Yes
<b>SIZE</b>	98 X 98mm



### OPTIONS LMR50

<b>GLASS COVER CLEAR</b>	Glass IP44 Art. no.: 0053.999.99.0
<b>OPTION DRIVERS</b>	<b>On/off</b> 350mA 6-10W Art. no.: 0110.350.10.3
	<b>Phase cut</b> 350mA 5-10W Art. no.: 0110.350.30.1
	<b>1/10V</b> 350mA 5-10W Art. no.: 0110.350.30.1
	<b>DALI</b> 350mA 3-18W Art. no.: 0118.350.40.0
<b>OPTION POWER CABLE</b> Connected to driver/fixture	Europlug 2000mm 2 X 0,75 Art. no.: 0502.075.20.0
	Wieland GST 18/3 male 2000mm 3 X 0,75 Art. no.: 0501.183.20.0
	Wieland T connector GST 18/3 200mm 3 X 0,75 Art. no.: 0500.183.20.0

ALBUM



### INFORMATION

<b>WARRANTY</b>	3 Years
-----------------	---------

Full warranty only applies when fixture is purchased in combination with recommended driver.

LiteTime International reserves the right to modify or change technical, construction or LED specifications due to continuous improvements of our products and light sources. The light source in this product can be replaced with an equivalent module made by Philips, Osram or Tridonic.

ART.NR.	LAMP TYPE	BRAND	LUMINOUS FLUX	OUTPUT POWER	MODULE EFFICIENCY	COLOUR TEMPERATURE	CRI	TC LIFETIME	BEAM ANGLE	mA
Δ see colors										
4010.171.20.Δ	LMR50	Bridgelux V6	575lm	6,8W	85lm/W	2700K	>90	30.000 Hrs	20°	350mA
4010.172.30.Δ	LMR50	Bridgelux V6	575lm	6,8W	85lm/W	2700K	>90	30.000 Hrs	30°	350mA
4010.173.20.Δ	LMR50	Bridgelux V6	600lm	6,8W	88lm/W	3000K	>90	30.000 Hrs	20°	350mA
4010.174.30.Δ	LMR50	Bridgelux V6	600lm	6,8W	88lm/W	3000K	>90	30.000 Hrs	30°	350mA
4010.275.20.Δ	LMR50	Sharp GW6	563lm	6,6W	85lm/W	2000 - 2800K	>80	30.000 Hrs	20°	350mA
4010.276.30.Δ	LMR50	Sharp GW6	563lm	6,6W	85lm/W	2000 - 2800K	>80	30.000 Hrs	30°	350mA