



PRODUCT MATERIAL

ADAPTER

LIGHT SOURCE

DRIVER

COLORS (Δ)

BEAM ANGLE

SIZE

Aluminium profile

3-phase track adapter

Edison 2835 LED

Including Xitanium driver

○ 3 = RAL 9003 white

● 5 = RAL 9005 black

25°-90°-25°

580 X 42,3mm

INFORMATION

WARRANTY

5 Years

Also available in pendant version

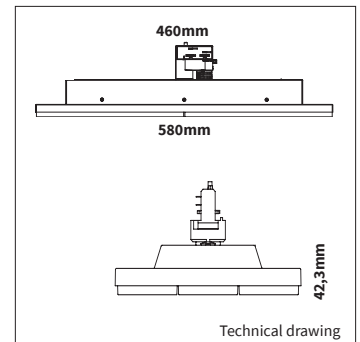
Adjustable lumen, wattage and milliampere:

10.650lm	71W	375mA
9.450lm	63W	350mA
8.850lm	59W	325mA
8.100lm	54W	300mA
7.500lm	50W	275mA
6.750lm	45W	250mA
6.000lm	40W	225mA
5.400lm	36W	200mA
4.650lm	31W	175mA

LiteTime International reserves the right to modify or change technical, construction or LED specifications due to continuous improvements of our products and lightsources. The light source in this product can be replaced with an equivalent module made by Philips, Osram or Tridonic.



POWER PLATE T



Technical drawing

ART.NR.	LAMP TYPE	BRAND	LUMINOUS FLUX	OUTPUT POWER	MODULE EFFICIENCY	COLOUR TEMPERATURE	CRI	TC LIFETIME
Δ see colors								
3270.580.40.Δ	Ledline	Edison 2835	4650-10650lm	31-71W	150lm/W	4000K	>80	50.000 Hrs