



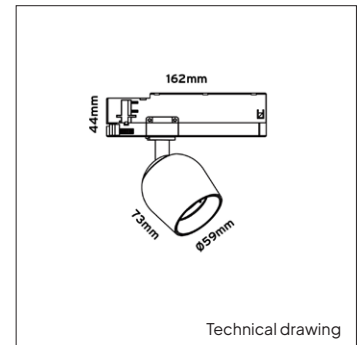
PRODUCT MATERIAL	Die-cast aluminium
ADAPTER	3-phase track adapter driver
LIGHT SOURCE	Bridgelux DtW
MODULE LIFETIME	Approx. 50.000 hours
DRIVER	Including phase cut dimmable driver
COLORS (Δ)	○ 3 = RAL 9003 white ● 5 = RAL 9005 black
BEAM ANGLE	▲ 24°
ADJUSTABLE	Rotating 350°, 90° tiltable
DIMMABLE	Yes
SIZE	Ø59 x 73mm



OPTIONS

OPTIONAL BEAM ANGLE	▲ 36°	Art. no.: 3066.010.36.0
	▲ 50°	Art. no.: 3066.010.50.0
ANTI-GLARE RING	Black	Included
	Gold	Art. no.: 3066.030.00.9
HONEYCOMB		Art. no.: 3066.040.00.0

Design Patent Certificate
No: ZL 2019 5 0427886.1 Trackspot Venus Patent



INFORMATION

Also available in surface and recessed version



ANTI-GLARE RING



HONEYCOMB



ARTICLE NUMBER	LAMP TYPE	BRAND	LUMINOUS FLUX	OUTPUT POWER	MODULE EFFICIENCY	COLOR TEMPERATURE	CRI	TC LIFETIME	mA
3066.125.24.Δ	DtW	Bridgelux	900lm	10W	90lm/W	1800-3000K DtW	>90	50.000 Hrs	250mA

Δ See colors

LiteTime reserves the right to modify or change technical, construction or LED specifications due to continuous improvements of our products and light sources.