



155 Lumen / Watt

The VIRGO is the next generation LED Stadium Light. With its advanced lens technology and orientable LED-modules it provides different light distribution solutions. The efficiency of 155lm/w as well as the different lens configurations makes it applicable in almost every situation. Even severe conditions are easily overcome because of the IK08 / IP66 protection level. With a lifespan of 100.000 Hours (L80B20) the VIRGO ensures years of durable and high efficient use.

SPECIFICATIONS

MODEL	Power (W)	Flux (Lumen)
VIRGO450W	450	69.750
VIRGO900W	900	139.500
VIRGO1350W	1350	209.250

Luminous flux based on 4.000K / CRI 80Ra

AC Input : 100-277V 50/60Hz

Brand of LED Driver : INVENTRONICS

Light Source : 3030

CRI Range : Ra>70

CCT Range : NW(4000K) CW(5700K)

Light Efficiency : 155±5% Lm/W

Beam Angle : 25° / 40°

Housing : Aluminum Alloy

Surge protection: 10kV

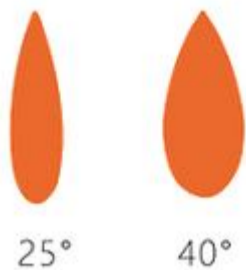
Waterproof : IP66 & IK08

L80B20@25°C : >100000H

PF : ≥0.95 THD<15% Power Efficiency : ≥0.9

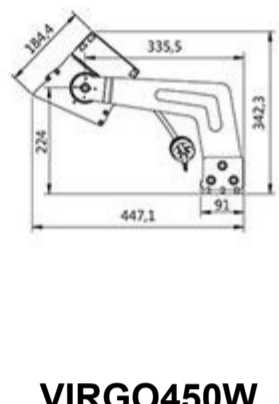
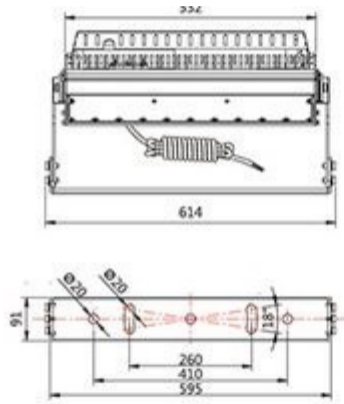
Certifications : TUV, ENEC, CE, CB

BEAM ANGLES

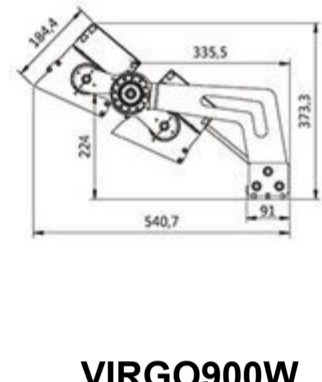
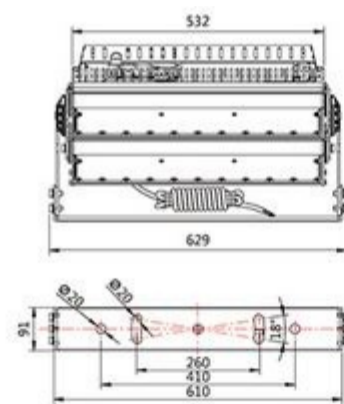




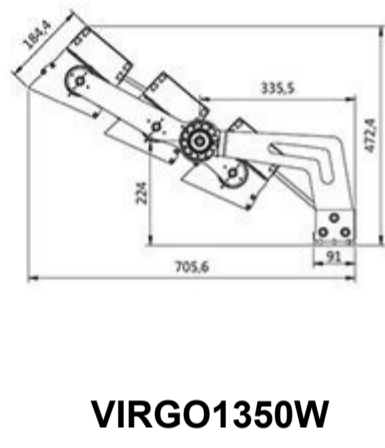
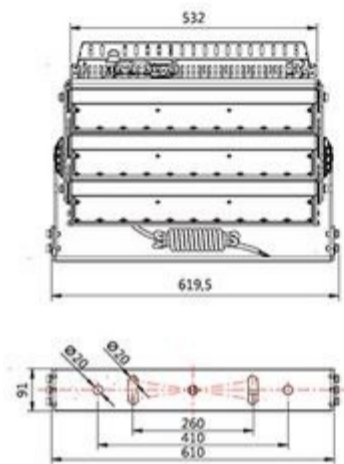
DIMENSIONS



VIRGO450W



VIRGO900W



VIRGO1350W

ACCESSORIES



Beam Angle Positioner



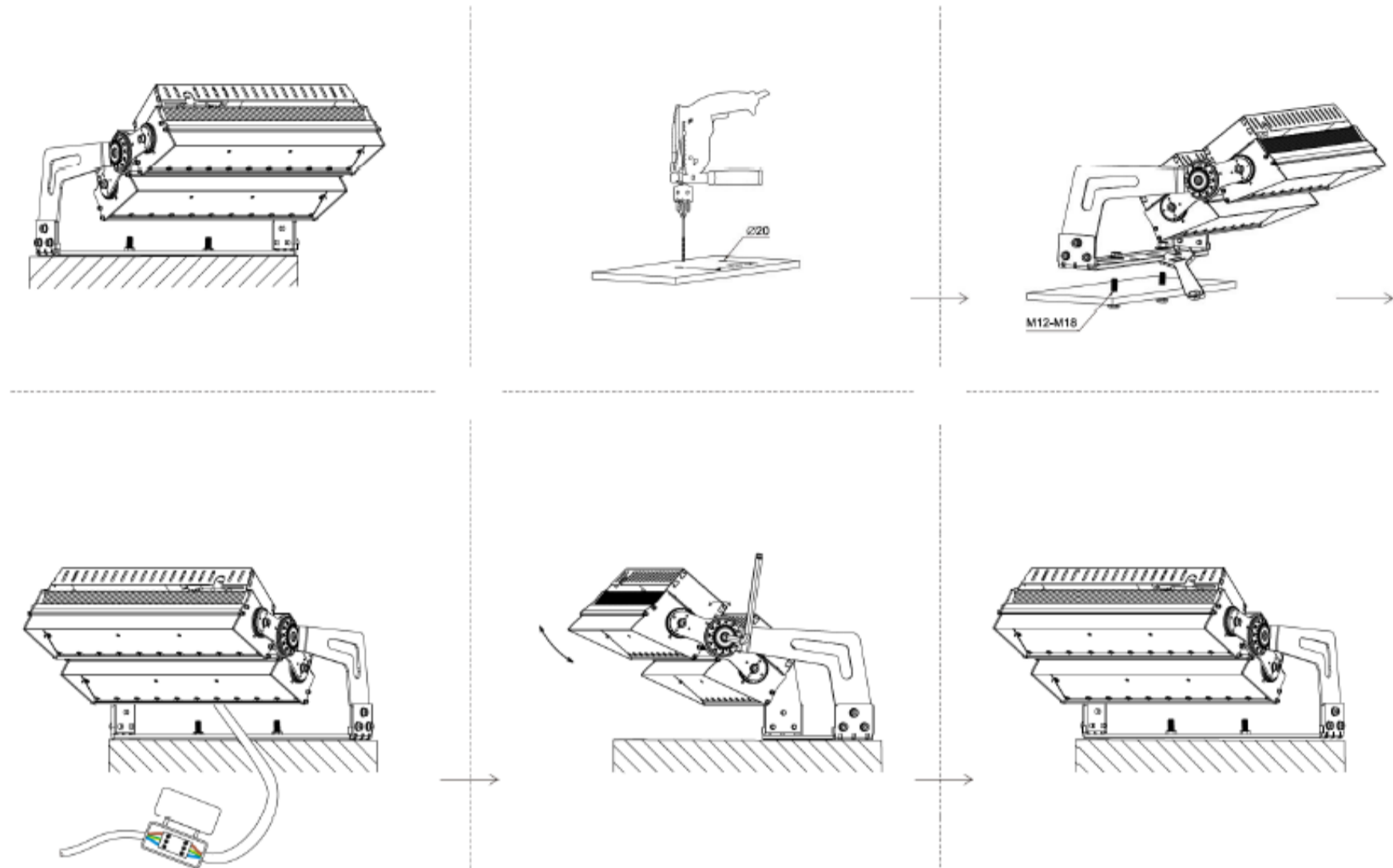
Fall Protection Chain

PRODUCT VIEWS

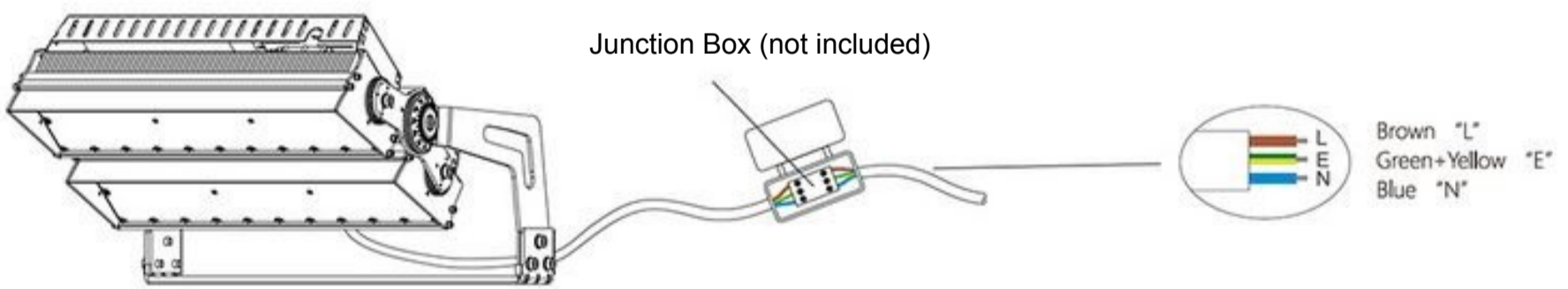




INSTALLATION OPTIONS

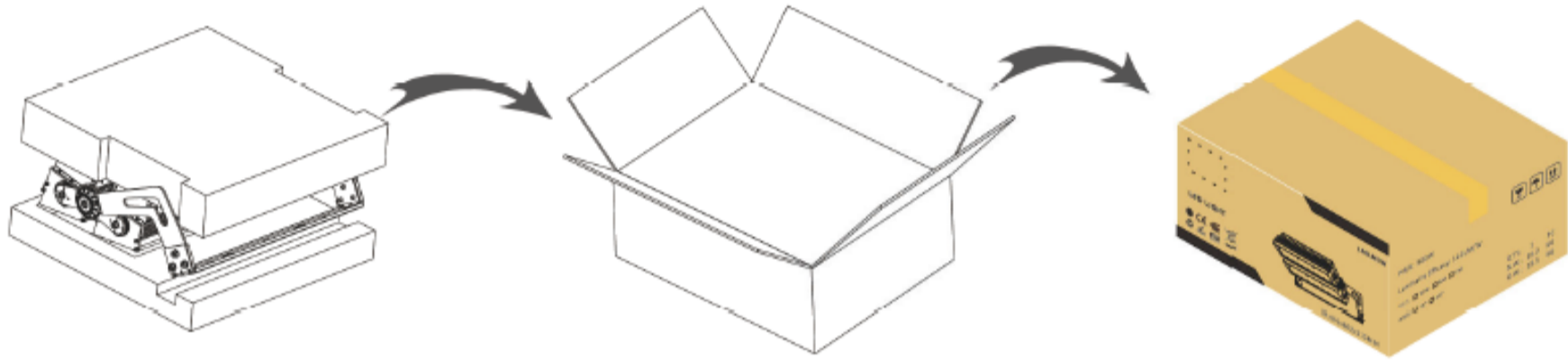


ELECTRICAL CONNECTION





PACKAGING INFORMATION



MODEL	QUANTITY	NET WEIGHT	GROSS WEIGHT	DIMENSIONS
VIRGO450W	1pc/box	8,6kg	10,6kg	662x565x291mm
VIRGO900W	1pc/box	16,2kg	18,5kg	662x662x315mm
VIRGO1350W	1pc/box	23,1kg	26,0kg	862x662x356mm