

**150 Lumen / Watt**

The TAURUS is the next generation LED Stadium Light. With its advanced lens technology it provides different light distribution solutions. The efficiency of 150lm/w as well as the different lens configurations makes it applicable in almost every situation. Even severe conditions are easily overcome because of the IK08 / IP66 protection level. With a lifespan of 100.000 Hours (L80B20) the TAURUS ensures years of durable and high efficient use.

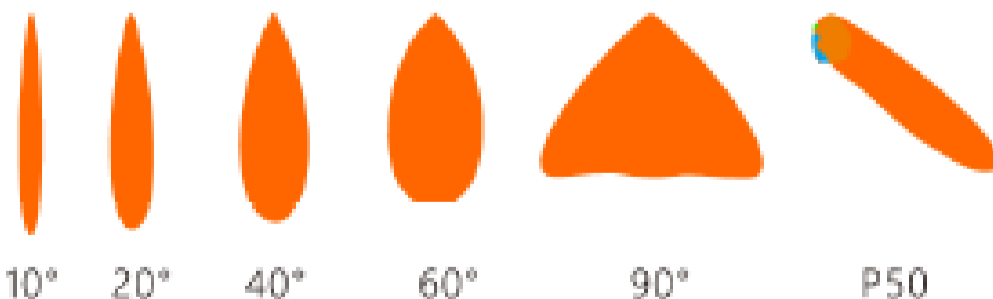
**SPECIFICATIONS**

MODEL	Power (W)	Flux (Lumen)
TAURUS300W	300	45.000
TAURUS600W	600	90.000
TAURUS900W	900	135.000

Luminous flux based on 4.000K / CRI 80Ra

AC Input : 100-277V 50/60Hz  
 Brand of LED Driver : MEANWELL  
 Light Source : 5050(LUMILEDS)/3737(OSRAM P8)(10°)  
 CRI Range : Ra>80  
 CCT Range : NW(4000K) CW(5700K)  
 Light Efficiency : 150±5% Lm/W  
 Beam Angle : 10° / 20° / 40° / 60° / 90° / P50  
 Housing : Aluminum Alloy  
 Surge Protection: 10kV  
 Waterproof : IP66 & IK08  
 L80B20@25°C : >100000H  
 PF : ≥0.95 THD<15% Power Efficiency : ≥0.9  
 Certifications : TUV, ENEC, CE, CB  
 Warranty : 5 Years

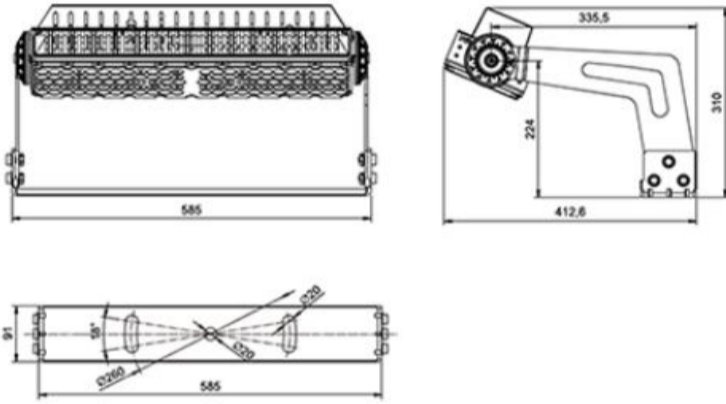
**BEAM ANGLES**



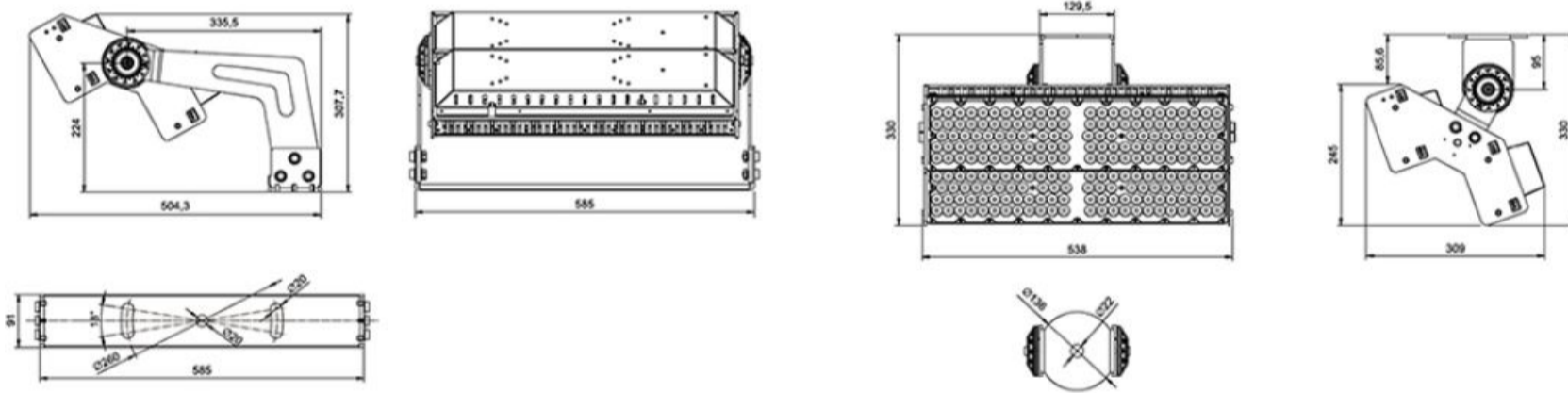


**DIMENSIONS**

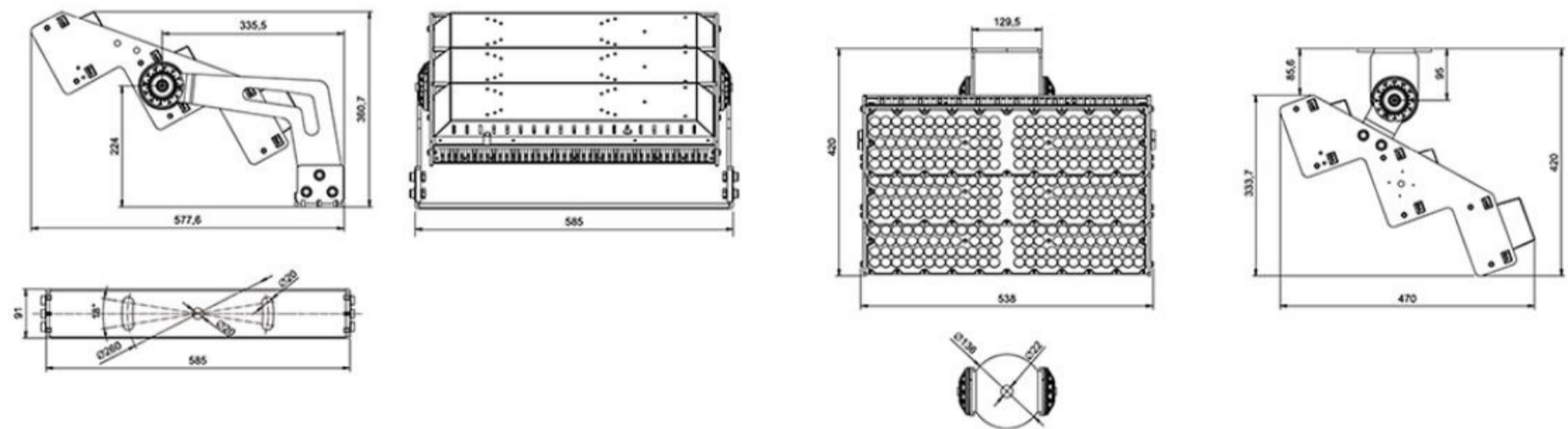
**TAURUS300W**



**TAURUS600W**



**TAURUS900W**





**PRODUCT VIEWS**

**TAURUS300W-H**



**TAURUS600W-H**



**TAURUS600W-S**



**TAURUS900W-H**



**TAURUS900W-S**



**ACCESSORIES**



Beam Angle  
Positioner



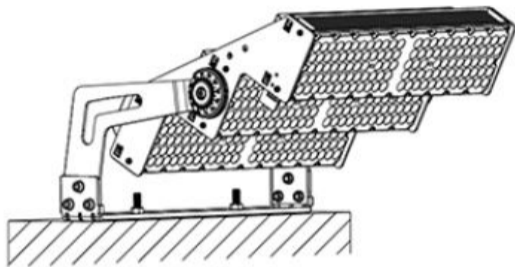
Fall Protection  
Chain



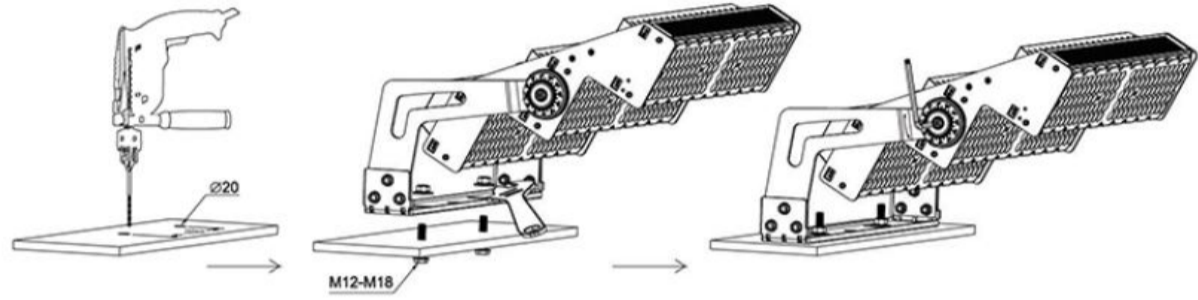


**INSTALLATION OPTIONS**

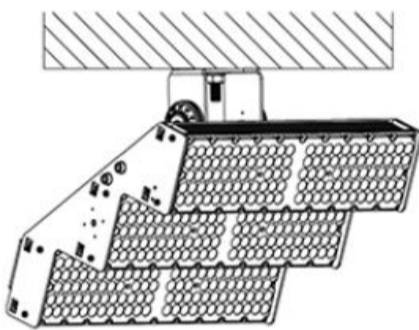
**Mounted upright - Type H**



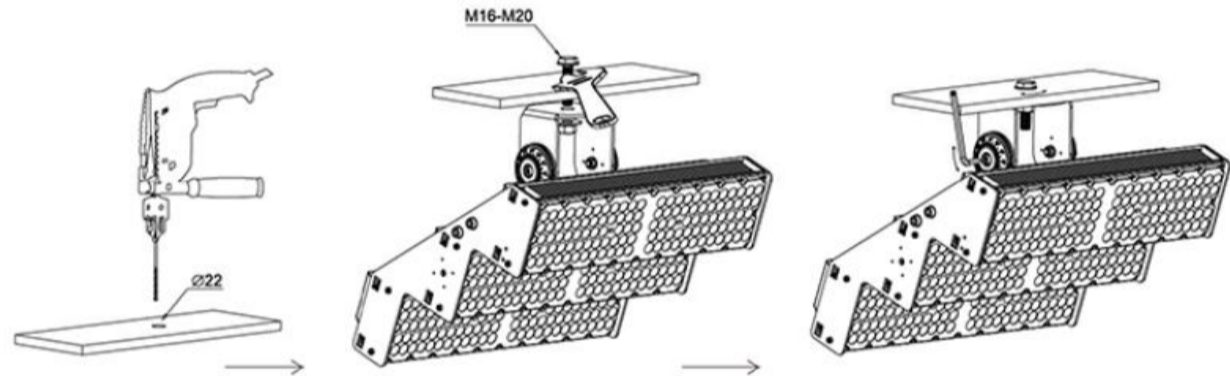
TAURUS 300/600/900-H



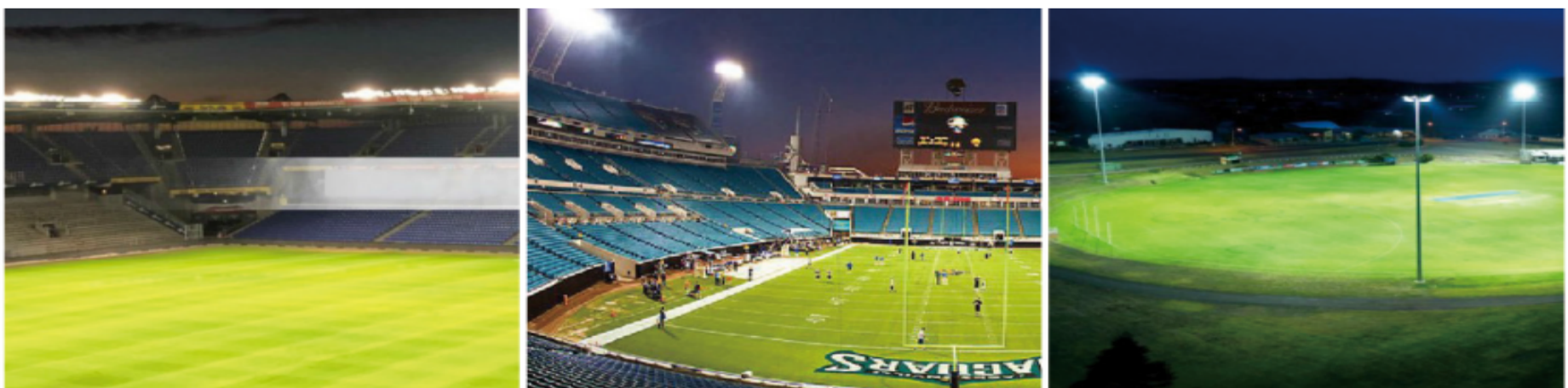
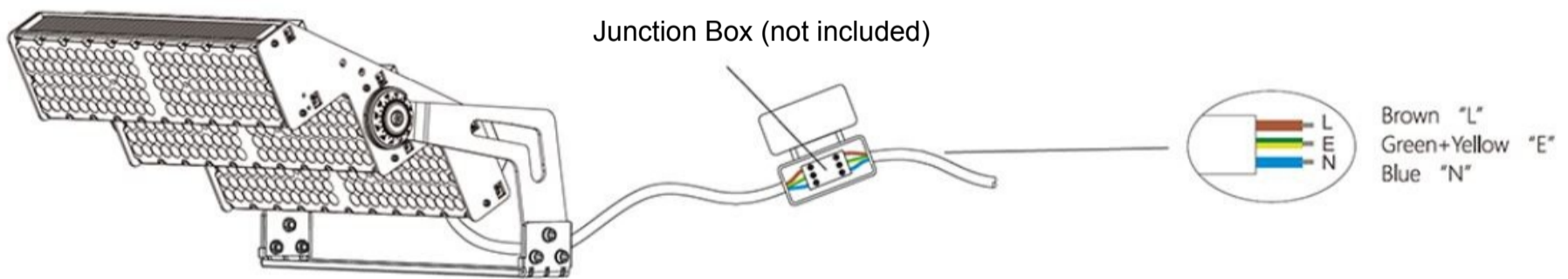
**Mounted downwards - Type S**



TAURUS 300/600/900-S

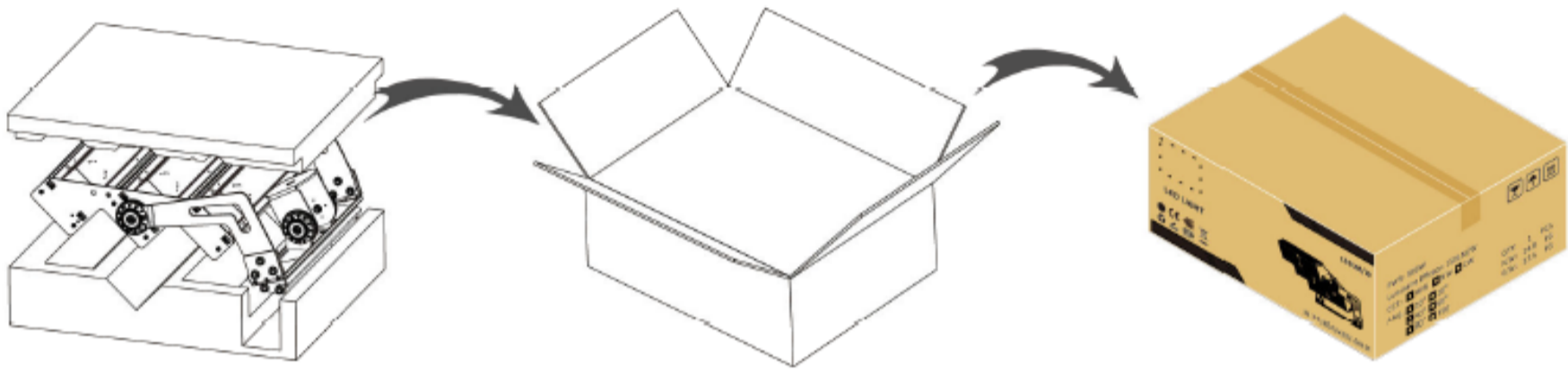


**ELECTRICAL CONNECTION**





**PACKAGING INFORMATION**



MODEL	QUANTITY	NET WEIGHT	GROSS WEIGHT	DIMENSIONS
TAURUS300W	1pc/box	6,1kg	7,8kg	634x549x296mm
TAURUS600W	1pc/box	11,0kg	13,4kg	641x632x292mm
TAURUS900W	1pc/box	14,8kg	17,5kg	744x658x295mm