

$\eta_{ef}$  (lm/W)  
125-159

SKYLINE TS

**Body:**  
Eloxal aluminium profile

**Optic:**  
Linear plastic optics  
CN – narrow 60°  
CW – wide 90°  
CHR – high rack 35°  
CRA – retail asymmetric  
KO – opal cover  
KN – prismatic cover

**Application:**  
Installation into continuous line

**TS/B/...gear tray – light unit with optic**

**TS/C/...accessories**  
TS/C/PS...connection set for power cable entry  
TS/C/KS ... output cable set  
TS/C/L...blind tray (cover) 1422 mm  
TS/C/HAK...pendant set – 2 hooks for chain suspension  
TS/C/SUA/L – sensor unit incl. DALI controller  
TS/C/SUP/L – unit with a PIR sensor  
TS/C/ZH21 – suspension set – 2 pcs of ropes (2m)  
TS/C/D – surface mounting bracket

**System components:**

**TSP/A/...trunking AL base** with 9 (or 5 or 7) -lines wiring, incl. connectros, for surface installation

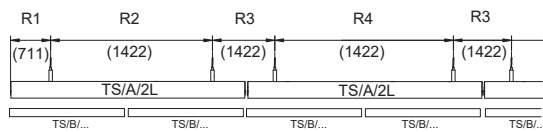
**TS/A/...trunking AL base** with 9 (or 5 or 7) -lines wiring, incl. connectros, for pendant installation  
2L = 2844 mm  
1L = 1422 mm



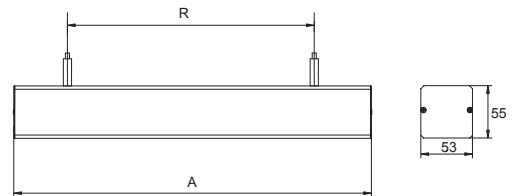
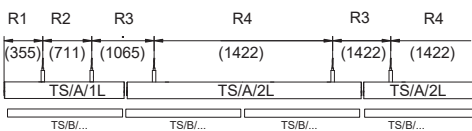
2200	2700	3000	4000	5700	6500	MIX	RGB	
✗	○	○	●	○	○	✗	✗	●
●	✗	○	○	✗	○	○	✗	●

● default    ○ optional    ✗ not possible

SESTAVA 2L+2L+2L ...

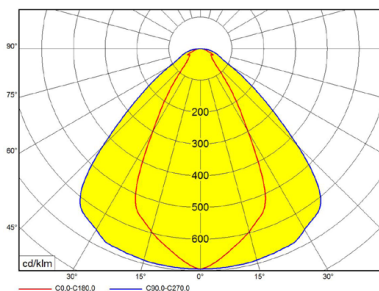


SESTAVA 1L+2L+2L ...

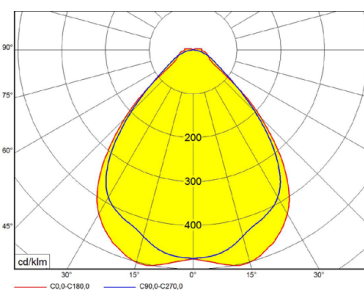


TS/A/	B	C	R1	R2	R3	R4	kg
2L (2844mm)	53	55	711	1422	1422	1422	2,8
1L (1422mm)			355	711	1 065	-	1,6

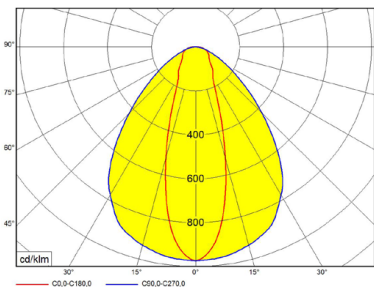
TS/B/	W	lm						A	B	C	kg
		CW	CN	CHR	CRA	KN	KO				
TS/B/4000L	22	3 500	3 200	3 100	2 900	2 900	2 800	1422	53	55	2,5
TS/B/6000L	39	5 600	5 200	5 000	4 700	4 900	4 600				
TS/B/8000L	57	7 700	7 200	7 000	6 500	6 700	6 300				
TS/B/10000L	65	9 700	9 000	8 800	8 200	8 400	7 900				



CN

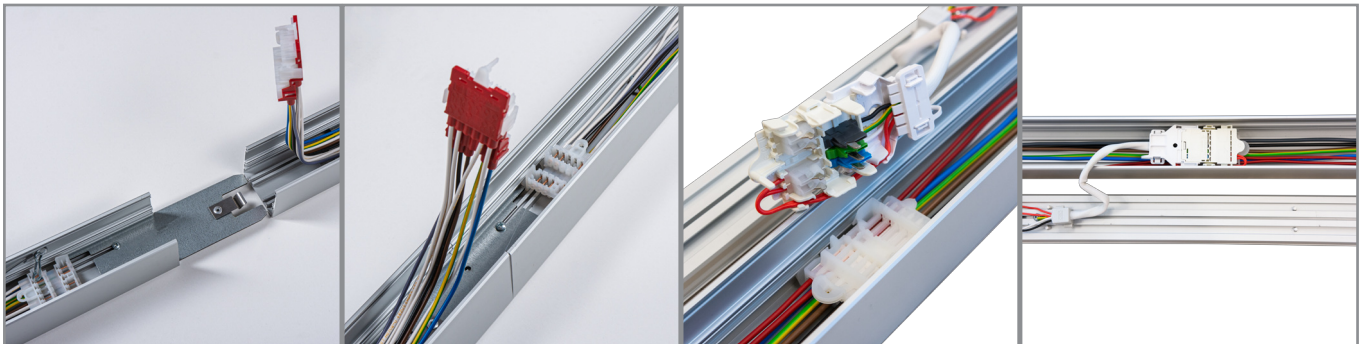


CW



CHR

Due to the LiteTime program of products development a data can be changed without notice. Luminous flux and connected electrical load are subject to an initial tolerance of up to + / - 10%. Color temperature is subject to a tolerance of up to +/-150 K from the nominal value. The failure of 1 LED points causes no functional impairment to the lighting performance of the luminaire and is therefore no reason for complaint.



**Maximum loading of automatic circuit breakers**

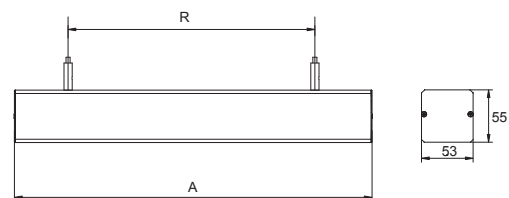
ND	C10	C13	C16	C20	B10	B13	B16	B20
TS/B/4000L	35	50	65	75	28	40	52	60
TS/B/6000L	13	17	22	26	8	10	13	16
TS/B/8000L	10	15	18	23	6	9	11	14

DALI	C10	C13	C16	C20	B10	B13	B16	B20
TS/B/4000L	24	32	40	49	15	19	24	30
TS/B/6000L	13	17	22	26	8	10	13	16
TS/B/8000L	13	17	22	26	8	10	13	16

**Codes: TS/A/2L9**

**Trunking base**

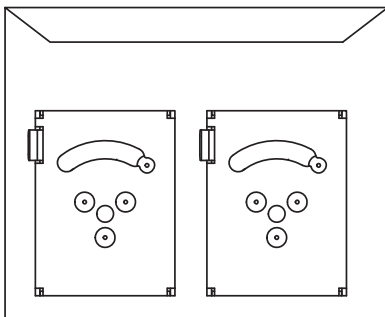
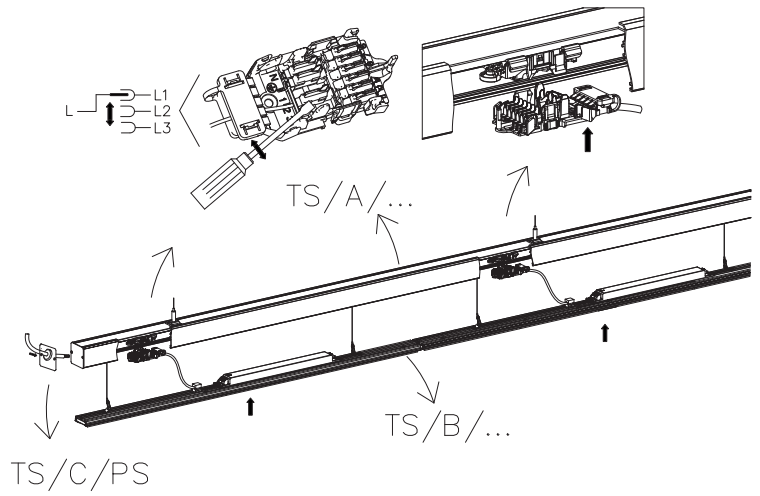
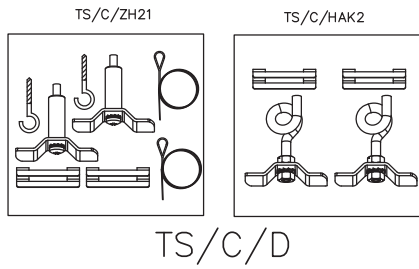
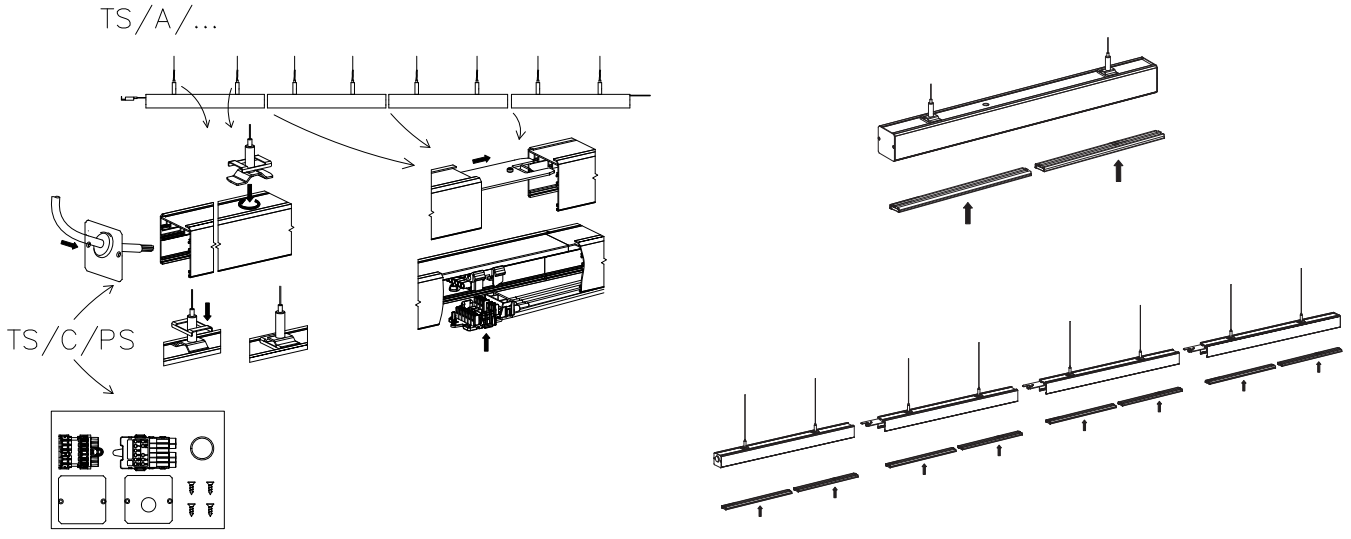
TS	/A	/2L	9
Luminaire type	A = rai	body length: 1L = 1422 mm 2L = 2844 mm	nr of wires 5 7 9



**Codes: TS/B/5000L4CN/ND**

**Light units**

TS	/B	/5000	L	4	CN	/ND
Luminaire type	B = light unit	Light output	body length: L = 1422 mm	Color temperature 3=3000K, 4=4000K,	Optic CN – narrow beam 60° CW – wide beam 90° CHR – high rack 35° CRA – retail asymmetric	Driver type: ND – no dimmable DALI – dimmable DALI NZ = emergency 1h



**For assistance in configuring the TS system, please contact MODUS technical support, see back cover.**