



Warehouse



Billboard



Museum



Factory



Sports Venues



Highway



Tunnel

INDUSTRIAL LED Highbay



SIRIUS 100

SIRIUS 150



SIRIUS 200

SIRIUS 240



**INTELLIGENT
HIGH-EFFICIENT
SUSTAINABLE**





SPECIFICATIONS

Model	Dimensions	Power	Lumen	Efficacy	CRI	UGR	Beam Angle	CCT	Lifespan
SIRIUS 100	L195-W325-H217mm	100W	14000 / 15000 lm	140 / 150 lm/w	> 80	23	AN 30° AM 60° AW 110° AD 70*100° AP 70*120°	3000K 4000K 5000K	50000Hrs L70B20
SIRIUS 150	L267-W325-H217mm	150W	21000 / 22500 lm	140 / 150 lm/w	> 80	23	AN 30° AM 60° AW 110° AD 70*100° AP 70*120°	3000K 4000K 5000K	50000Hrs L70B20
SIRIUS 200	L369-W325-H217mm	200W	28000 / 30000 lm	140 / 150 lm/w	> 80	23	AN 30° AM 60° AW 110° AD 70*100° AP 70*120°	3000K 4000K 5000K	50000Hrs L70B20
SIRIUS 240	L411-W325-H217mm	240W	33600 / 36000 lm	140 / 150 lm/w	> 80	23	AN 30° AM 60° AW 110° AD 70*100° AP 70*120°	3000K 4000K 5000K	50000Hrs L70B20

Technical Specifications

IP	IP65
IK	IK08
Blue Hazard	0%

Electrical Supply

Frequency(Hz)	50/60
Voltage (V)	220-240
AC/DC	AC
Power Factor	0.95

Certifications

Fixture certifications	CE
Test Reports	LM79

Optional

Drivers	CC MODE
---------	---------

Mechanical Properties

Housing Material	Cold-Rolled Sheet+Aluminum
Color (Housing)	Black
Optic	PC Lens

Application

Operating temperature	-10 - +40°C
-----------------------	-------------

Driver Specifications

Voltage (V)	220-240
Power (W)	100 / 150 / 200 / 240
Power Factor	0.95
Flickering	No
Guarantee	5 years



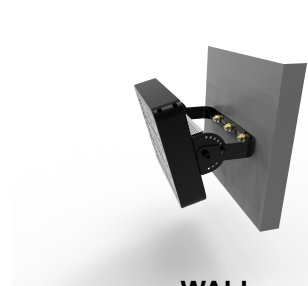
CIRCUIT BREAKER

Power (W)	100 / 150 / 200 / 240
B16	20 / 13 / 10 / 7 PCS
C16	25 / 16 / 12 / 10 PCS

MOUNTING



CHAIN

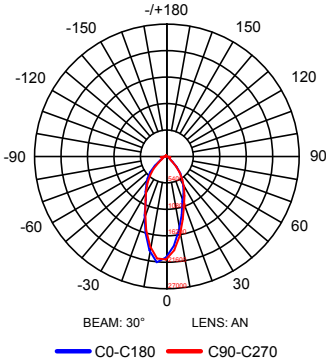


WALL

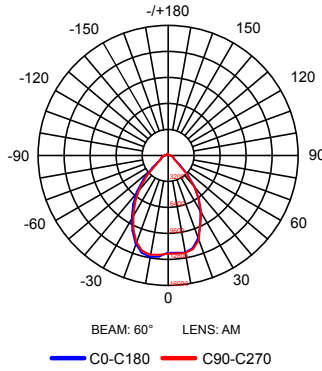


PHOTOMETRIC DATA

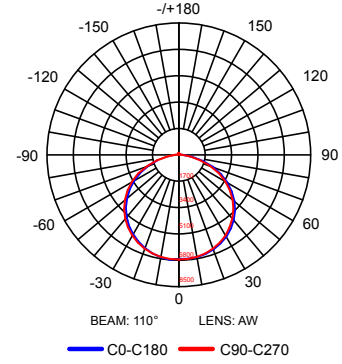
SIRIUS 150 - AN 30°



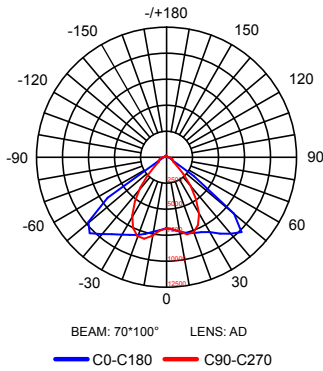
SIRIUS 150 - AM 60°



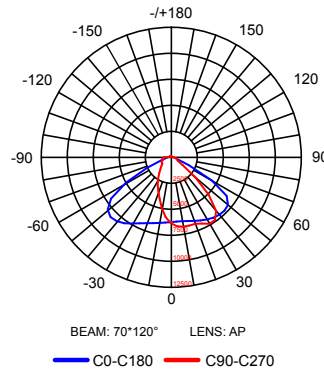
SIRIUS 150 - AW 110°



SIRIUS 150 - AD 70*100°



SIRIUS 150 - AP 70*120°



PACKAGING INFORMATION

Model	Individual Box Dimension (mm) (HxWxD)	Weight (kg)	Units per Masterbox	Masterbox Dimension (mm) (HxWxD)	Weight (kg)
SIRIUS 100	370*270*210	5.5	4	560*390*440	22
SIRIUS 150	370*340*210	6.5	4	700*390*440	26
SIRIUS 200	405*370*210	8	3	425*390*650	24
SIRIUS 240	485*370*210	9	3	505*390*650	27