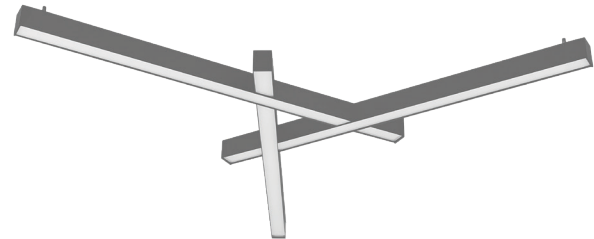


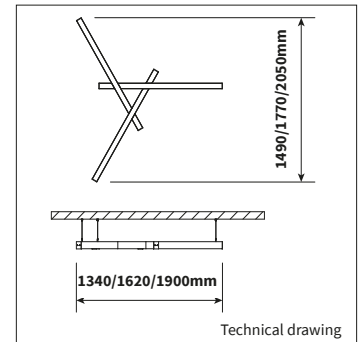


<b>PRODUCT MATERIAL</b>	Aluminium profile
<b>LIGHT SOURCE</b>	Philips Ledline
<b>MODULE LIFETIME</b>	Approx. 50.000 hours
<b>DRIVER LEDLINE</b>	Including Philips Xitanium driver
<b>COLORS (Δ)</b>	<ul style="list-style-type: none"> <li>○ 3 = RAL 9003 white</li> <li>● 5 = RAL 9005 black</li> <li>● 6 = RAL 9006 alu</li> </ul>
<b>REFLECTOR</b>	Aluminium white
<b>ADJUSTABLE</b>	No
<b>SIZE</b>	See technical drawing



### OPTIONS

<b>COLORS</b>	Available in all RAL colours on request Additional price + 10%
<b>DIMMABLE</b>	Dali dimmable
<b>DIFFUSER</b>	White opalic diffuser in standard Microprismatic UGR<19 option
<b>EMERGENCY</b>	3 hours
<b>IP CLASS</b>	IP20 in standard, IP44 on request
<b>COLOUR RENDERING INDEX</b>	>80 in standard, other on request
<b>MOVEMENT SENSOR</b>	On request
<b>DAYLIGHT CONTROL SENSOR</b>	On request
<b>TUNABLE WHITE</b>	On request
<b>CYAN ENHANCED STATIC</b>	On request



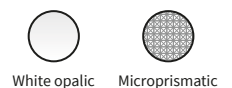
### INFORMATION

Including 1500mm steel wire suspension with wire length control

Bespoke size & product features available

LiteTime reserves the right to modify or change technical, construction or LED specifications due to continuous improvements of our products and lightsources. The light source in this product can be replaced with an equivalent module made by Philips, Osram or Tridonic.

### DIFFUSER



ARTICLE NUMBER	LENGTH	GROSS LUMEN OUTPUT	NETTO LUMEN OUTPUT	OUTPUT POWER	MODULE EFFICIENCY	COLOR TEMPERATURE	CRI	TC LIFETIME
Δ See colors								
9259.149.30.Δ	1490 X 1340mm	9900lm	6800lm	60W	165lm/W	3000K	>80	50.000 Hrs
9259.149.35.Δ	1490 X 1340mm	9900lm	6800lm	60W	165lm/W	3500K	>80	50.000 Hrs
9259.149.40.Δ	1490 X 1340mm	9900lm	6800lm	60W	165lm/W	4000K	>80	50.000 Hrs
9259.177.30.Δ	1770 X 1620mm	13200lm	9000lm	82W	161lm/W	3000K	>80	50.000 Hrs
9259.177.35.Δ	1770 X 1620mm	13200lm	9000lm	82W	161lm/W	3500K	>80	50.000 Hrs
9259.177.40.Δ	1770 X 1620mm	13200lm	9000lm	82W	161lm/W	4000K	>80	50.000 Hrs
9259.205.30.Δ	2050 X 1900mm	16500lm	11300lm	100W	165lm/W	3000K	>80	50.000 Hrs
9259.205.35.Δ	2050 X 1900mm	16500lm	11300lm	100W	165lm/W	3500K	>80	50.000 Hrs
9259.205.40.Δ	2050 X 1900mm	16500lm	11300lm	100W	165lm/W	4000K	>80	50.000 Hrs