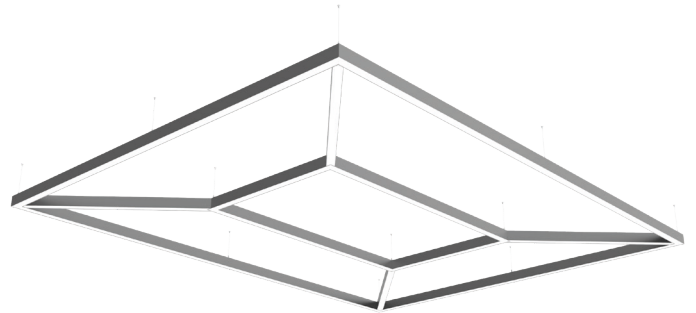




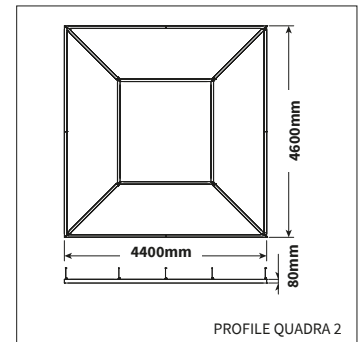
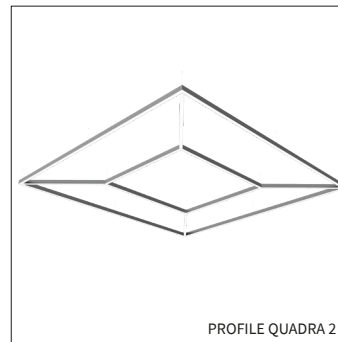
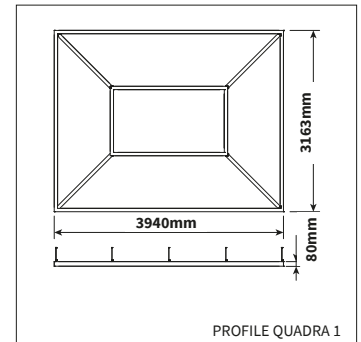
## PROFILE QUADRA

<b>PRODUCT MATERIAL</b>	Aluminium profile
<b>LIGHT SOURCE</b>	Philips Ledline
<b>MODULE LIFETIME</b>	Approx. 50.000 hours
<b>DRIVER</b>	Including Philips Xitanium driver
<b>COLORS (Δ)</b>	<ul style="list-style-type: none"> <li>○ 3 = RAL 9003 white</li> <li>● 5 = RAL 9005 black</li> <li>● 6 = RAL 9006 alu</li> </ul>
<b>REFLECTOR</b>	Aluminium white
<b>SIZE</b>	See technical drawing



### OPTIONS

<b>COLORS</b>	Available in all RAL colours on request Additional price + 10%
<b>DIMMABLE</b>	Dali dimmable
<b>DIFFUSER</b>	White opalic diffuser in standard Microprismatic UGR<19 option
<b>EMERGENCY</b>	3 hours
<b>IP CLASS</b>	IP20 in standard, IP44 on request
<b>COLOR RENDERING INDEX</b>	>80 in standard, other on request
<b>MOVEMENT SENSOR</b>	On request
<b>DAYLIGHT CONTROL SENSOR</b>	On request
<b>TUNABLE WHITE</b>	On request
<b>CYAN ENHANCED STATIC</b>	On request



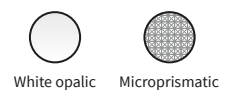
### INFORMATION

Including 1500mm steel wire suspension with wire length control

**Bespoke size & product features available**

LiteTime reserves the right to modify or change technical, construction or LED specifications due to continuous improvements of our products and light sources. The light source in this product can be replaced with an equivalent module made by Philips, Osram or Tridonic.

### DIFFUSER



ARTICLE NUMBER	LENGTH	GROSS LUMEN OUTPUT	NETTO LUMEN OUTPUT	OUTPUT POWER	MODULE EFFICIENCY	COLOR TEMPERATURE	CRI	TC LIFETIME
<b>PROFILE QUADRA 1</b>								
Δ See colors								
9275.394.30.Δ	3940 X 3163mm	101200lm	70000lm	625W	162lm/W	3000K	>80	50.000 Hrs
9275.394.35.Δ	3940 X 3163mm	101200lm	70000lm	625W	162lm/W	3500K	>80	50.000 Hrs
9275.394.40.Δ	3940 X 3163mm	101200lm	70000lm	625W	162lm/W	4000K	>80	50.000 Hrs
<b>PROFILE QUADRA 2</b>								
9276.440.30.Δ	4400 X 4600mm	127600lm	89000lm	783W	163lm/W	3000K	>80	50.000 Hrs
9276.440.35.Δ	4400 X 4600mm	127600lm	89000lm	783W	163lm/W	3500K	>80	50.000 Hrs
9276.440.40.Δ	4400 X 4600mm	127600lm	89000lm	783W	163lm/W	4000K	>80	50.000 Hrs