

Colours	□ ■ ■
Housing	Aluminium, die cast
Fixture type	Recessed
Module	Philips Fortimo SLM LED module
Driver	Philips Xitanium external LED driver with strain relief (included)
Light Output module	1100lm, 2000lm, 3000lm, 4500lm, 6000lm*
CCT	2200K, 2700K, 3000K, 4000K, 5700K*
CRI	>80Ra, >90Ra
Beam angles	15°, 24°, 40°, 60°
LED modules	Standard, Premium, Food, Dim-to-Warm, Tunable White
Dimming Options	TRIAC, DALI, 1-10V, Casambi
Filter Options	Honeycomb, Glass, Emergency unit
Expected Lifetime	50.000h (L80/B10)
Cut out Size	Ø170 x H110mm
Photobiological safety	RG1 unlimited
Power factor	> 0.9
LOR	> 90%
Colour consistency	3 SDCM
Warranty	5 years warranty on LED module and driver

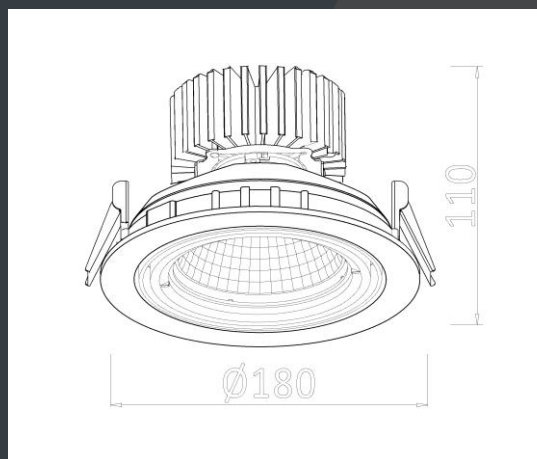


Net Weight	Dimensions carton L x W x H	Qty outer carton
1102 grams	19 x 19 x 16 cm	18

* Other specific lumen output or CCT possible upon request

Available LED Modules

Description	Lumen	Watt	Lm/W	CCT	CRI	Description	Lumen	Watt	Lm/W	CCT	CRI
Philips Fortimo SLM G7	1100lm	6W	183	827,830,840	>80	Philips Fortimo SLM G7	3000lm	18W	166	827, 830, 840	>90
Philips Fortimo SLM G7	1100lm	8W	138	927,930,930PW	>90	Philips Fortimo SLM G7	3000lm	22W	136	927, 930, 930PW	>90
Philips Fortimo SLM G7	1100lm	7W	157	940PW	>90	Philips Fortimo SLM G7	3000lm	20W	150	940PW	>90
Philips Fortimo SLM G7	1100lm	10W	110	922 PA (2200K)	>90	Philips Fortimo SLM G7	3000lm	31W	96	922PA (2200K)	>90
Philips Fortimo SLM G7	1100lm	8W	137	930 PC	>90	Philips Fortimo SLM G7	3000lm	24W	125	930PC	>90
Food Warm White	1100lm	11W	100	925 FWW	>90	Philips Fortimo SLM G7	4500lm	27W	166	827, 830, 840	>80
Meat Premium Red	1100lm	16W	69	920 MPR	>90	Philips Fortimo SLM G7	4500lm	33W	136	927, 930, 930PW	>90
Fresh Fish	1100lm	13W	85	940 FF	>90	Philips Fortimo SLM G7	4500lm	30W	150	940PW	>90
Dim-To-Warm (DTW)	1100lm	13W	85	2200-3000K	>90	Philips Fortimo SLM G7	6000lm	34W	150	830, 840	>80
Philips Fortimo SLM G7	2000lm	12W	167	827, 830, 840	>80						
Philips Fortimo SLM G7	2000lm	15W	133	927, 930, 930PW	>90						
Philips Fortimo SLM G7	2000lm	14W	143	940PW	>90						
Philips Fortimo SLM G7	2000lm	19W	105	922 PA (2200K)	>90						
Philips Fortimo SLM G7	2000lm	16W	125	930 PC	>90						
Food Warm White	2000lm	22W	91	925 FWW	>90						
Meat Premium Red	2000lm	30W	67	920 MPR	>90						
Fresh Fish	2000lm	22W	91	940 FF	>90						
Dim-To-Warm (DTW)	1900lm	20W	95	2200-3000K	>90						



LED modules
Standard: CRI>80 and >90 in CCT 2700K, 3000K, 4000K
Premium White (PW): for fresh white and depth of colour in retail environments

¹⁾ Lumen output of LED module (COB)

²⁾ Mentioned wattage applies for the COB only. Mentioned wattage applies for the most efficient CCT.

The power of the complete fixture will be slightly higher due to the power consumption of the driver.

³⁾ Values shown are average values and are subject to +/- 10% tolerance (set by international standards). The colour temperature is subject to a tolerance of up to +/- 150 Kelvin compared to the nominal value.

Technical data can be changed by Internova without prior notice.