

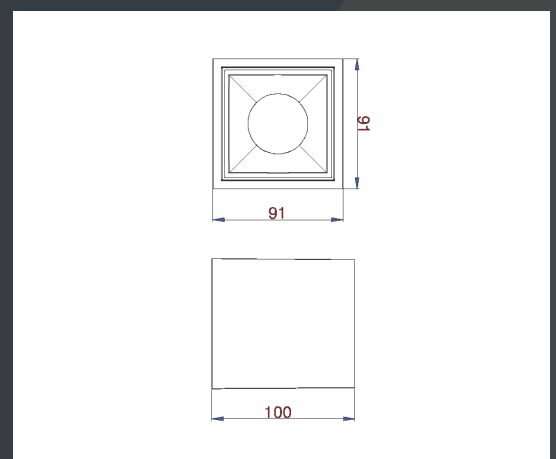
Colours	□ ■
Housing	Aluminium, die cast
Fixture type	Surface mounted
Module	Standard Dim-to-Warm LED module
Driver	Standard TRIAC dimmable driver
Light Output module	900lm
CCT	1800K – 3000K
CRI	>90Ra
Beam angles	40°
Rotatable	0°
Tilttable	0°
LED modules	Dim-To-Warm LED module
Dimming Options	TRIAC (standard)
Options	N/A
Expected Lifetime	30.000h (L70/B30)
Photobiological safety	RG1 unlimited
Power factor	> 0.9
Colour consistency	3 SDCM
Warranty	3 years warranty on LED module and driver



Net Weight	Dimensions carton L x W x H	Qty outer carton
825 grams	13 x 15 x 13	20

Available LED Modules

Description	Lumen	Watt	Lm/W	CCT	CRI
Dim-to-Warm	900lm	7W	74	1800K – 3000K	>90



LED modules:

¹⁾ Lumen output of LED module (COB)

²⁾ Mentioned wattage applies for the COB only. Mentioned wattage applies for the most efficient CCT.

The power of the complete fixture will be slightly higher due to the power consumption of the driver.

³⁾ Values shown are average values and are subject to +/- 10% tolerance (set by international standards). The colour temperature is subject to a tolerance of up to +/- 150 Kelvin compared to the nominal value.

Technical data can be changed by Internova without prior notice.