



<b>PRODUCT MATERIAL</b>	Aluminium profile
<b>LIGHT SOURCE</b>	Edison 2835 LED
<b>DRIVER</b>	Including Tridonic driver
<b>COLORS (Δ)</b>	○ 3 = RAL 9003 white ● 5 = RAL 9005 black
<b>BEAM ANGLE</b>	25°- 90°-25°
<b>SIZE</b>	580 X 76mm

## INFORMATION

<b>WARRANTY</b>	5 Years
-----------------	---------

Including 3000mm suspension wires

### Also available in 3F track version

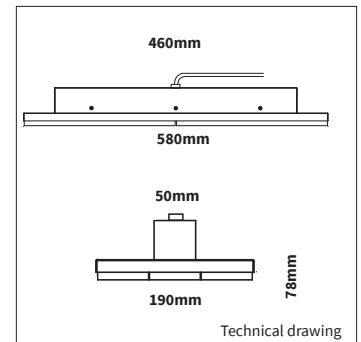
Adjustable lumen, wattage and milliampere:

10.650lm	71W	375mA
9.450lm	63W	350mA
8.850lm	59W	325mA
8.100lm	54W	300mA
7.500lm	50W	275mA
6.750lm	45W	250mA
6.000lm	40W	225mA
5.400lm	36W	200mA
4.650lm	31W	175mA

LiteTime International reserves the right to modify or change technical, construction or LED specifications due to continuous improvements of our products and light sources. The light source in this product can be replaced with an equivalent module made by Philips, Osram or Tridonic.



POWER PLATE PND



ART.NR.	LAMP TYPE	BRAND	LUMINOUS FLUX	OUTPUT POWER	MODULE EFFICIENCY	COLOUR TEMPERATURE	CRI	TC LIFETIME
Δ see colors								
9270.580.40.Δ	Ledline	Edison 2835	10650lm	71W	150lm/W	4000K	>80	50.000 Hrs