



POXY 2

PRODUCT MATERIAL	Steel and aluminium
LIGHT SOURCE	Philips SLM G7
MODULE LIFETIME	Approx. 50.000 hours
DRIVER	Including Xitanium driver
COLORS (Δ)	<ul style="list-style-type: none"> ○ + ● 35 = RAL 9003 white + RAL 9005 black ● + ● 55 = RAL 9005 black + RAL 9005 black ● + ● 65 = RAL 9006 alu + RAL 9005 black
BEAM ANGLE	Glossy
ADJUSTABLE	Yes
SIZE	275 X 158 X 140mm



OPTIONS

COLORS	Available in all RAL colours on request Additional price + 10% Also available: color combinations
BEAM ANGLE	Art. no.: 2 X 4158.010.45.0
EMERGENCY BALLAST	Emergency 1 hour
DIMMABLE	DALI dimmable driver 2 X
OPTION POWER CABLE	Europlug 2000mm 2 X 0,75 Art. no.: 2 X 0502.075.20.0
	Wieland GST 18/3 male 2000mm 3 X 0,75 Art. no.: 2 X 0501.183.20.0
	Wieland T connector GST 18/3 200mm 3 X 0,75 Art. no.: 2 X 0500.183.20.0

INFORMATION

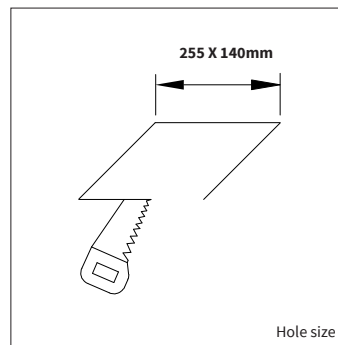
WARRANTY	5 Years
-----------------	---------

3 and 4 light luminaire available on request

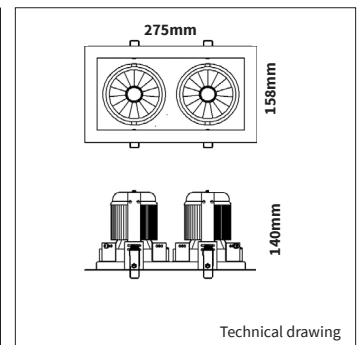
LiteTime International reserves the right to modify or change technical, construction or LED specifications due to continuous improvements of our products and light sources. The light source in this product can be replaced with an equivalent module made by Philips, Osram or Tridonic.

This luminaire is also available in 1100lm SLM on request

POXY 2



Hole size



Technical drawing

AVAILABLE SLM OPTIONS

To order the correct product, please replace **COB*** in the article number field with the COB code found on the last page of the catalogue

ARTICLE NUMBER Δ See colors	LUMINOUS FLUX	BRAND	OUTPUT POWER	COLOUR TEMPERATURE	CRI	SETTING	POWER FACTOR
4275. COB* .30.Δ	2 X 2000lm	Philips SLM G7	2 X 12W	827 / 830 / 835 / 840 / 850	>80	High Efficiency	>0,9
4275. COB* .30.Δ	2 X 2000lm	Philips SLM G7	2 X 17W	927 / 930	>90	High Efficiency	>0,9
4275. COB* .30.Δ	2 X 2000lm	Philips SLM G7	2 X 12W	830 Premium White	>80	High Efficiency	>0,9
4275. COB* .30.Δ	2 X 2000lm	Philips SLM G7	2 X 17W	930 / 935 / 940 Premium White	>90	High Efficiency	>0,9
4275. COB* .30.Δ	2 X 2000lm	Philips SLM G7	2 X 17W	930 Premium Color	>90	High Efficiency	>0,9
4275. COB* .30.Δ	2 X 2000lm	Philips SLM G6	2 X 21W	930 Crisp White	>90	High Efficiency	>0,9
4275. COB* .30.Δ	2 X 2000lm	Philips SLM G7	2 X 22W	925 Food Warm White	84	High Efficiency	>0,9
4275. COB* .30.Δ	2 X 2000lm	Philips SLM G7	2 X 20W	930 Food Premium Red	88	High Efficiency	>0,9
4275. COB* .30.Δ	2 X 3000lm	Philips SLM G7	2 X 19W	827 / 830 / 835 / 840 / 850 / 857	>80	High Efficiency	>0,9
4275. COB* .30.Δ	2 X 3000lm	Philips SLM G7	2 X 23W	927 / 930	>90	High Efficiency	>0,9
4275. COB* .30.Δ	2 X 3000lm	Philips SLM G7	2 X 20W	830 Premium White	>80	High Efficiency	>0,9
4275. COB* .30.Δ	2 X 3000lm	Philips SLM G7	2 X 23W	930 / 935 / 940 Premium White	>90	High Efficiency	>0,9
4275. COB* .30.Δ	2 X 3000lm	Philips SLM G7	2 X 25W	930 Premium Color	>90	High Efficiency	>0,9
4275. COB* .30.Δ	2 X 3000lm	Philips SLM G6	2 X 32W	930 Crisp White	>90	High Efficiency	>0,9
4275. COB* .30.Δ	2 X 3000lm	Philips SLM G7	2 X 34W	930 Food Premium Red	88	High Efficiency	>0,9
4275. COB* .30.Δ	2 X 4500lm	Philips SLM G7	2 X 29W	827 / 830 / 835 / 840 / 850 / 857	>80	High Efficiency	>0,9
4275. COB* .30.Δ	2 X 4500lm	Philips SLM G7	2 X 26W	927 / 930	>90	High Efficiency	>0,9
4275. COB* .30.Δ	2 X 4500lm	Philips SLM G7	2 X 30W	830 Premium White	>80	High Efficiency	>0,9
4275. COB* .30.Δ	2 X 4500lm	Philips SLM G7	2 X 35W	930 / 935 / 940 Premium White	>90	High Efficiency	>0,9
4275. COB* .30.Δ	2 X 4500lm	Philips SLM G7	2 X 37W	930 Premium Color	>90	High Efficiency	>0,9