

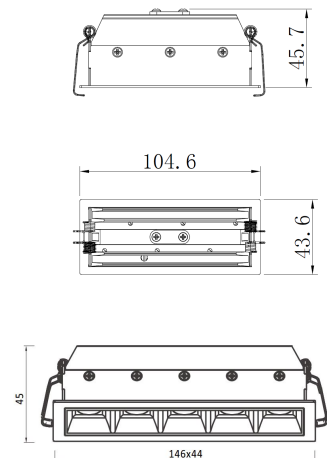
Colours	□ ■
Housing	Aluminium, die cast
Fixture type	Recessed
Module	CREE LED module
Driver	OSRAM TRIAC dimmable
Light Output module	See below
CCT	2700K, 3000K
CRI	>80Ra, >90Ra
Beam angles	40°
LED modules	Standard
Dimming Options	TRIAC (standard), DALI
Options	N/A
Expected Lifetime	35.000h (L70/B30)
Photobiological safety	RG1 unlimited
Power factor	> 0.9
UGR	< 12
LOR	> 90%
Colour consistency.	3 SDCM
Warranty	3 years warranty on LED module and driver



Description	Net Weight	Dimensions carton L x W x H	Qty outer carton
Piccolo 3	303 grams	15 x 13 x 6 cm	10
Piccolo 5	375 grams	16 x 9 x 10 cm	10

Available LED Modules

Description	Lumen	Watt	Ln/W	CCT	CRI	Dimensions B x A	Cut out Size
Piccolo 3 CREE LED's	555lm	6,3W	88	927, 830, 930	>80, >90	44 x 105mm	38 x 99mm
Piccolo 5 CREE LED's	900lm	10,5W	88	927, 830, 930	>80, >90	44 x 146mm	38 x 141mm



LED modules:

¹⁾ Lumen output of LED module (COB)

²⁾ Mentioned wattage applies for the COB only. Mentioned wattage applies for the most efficient CCT.

The power of the complete fixture will be slightly higher due to the power consumption of the driver.

³⁾ Values shown are average values and are subject to +/- 10% tolerance (set by international standards). The colour temperature is subject to a tolerance of up to +/- 150 Kelvin compared to the nominal value.

Technical data can be changed by Internova without prior notice.