



PRODUCT MATERIAL	Die-cast aluminium
LIGHT SOURCE	Osram
DRIVER	Including phase cut dimmable driver
COLORS (Δ)	<input type="radio"/> 3 = RAL 9003 white <input checked="" type="radio"/> 5 = RAL 9005 black
BEAM ANGLE	
ADJUSTABLE	No
DIMMABLE	Yes
SIZE	53 X 53 X 47mm



OPTIONS

OPTION DRIVERS	1/10V	150mA 1-8W Art. no.: 0108.140.30.0
	DALI	150mA 3-18W Art. no.: 01180.150.40.1
OPTION POWER CABLE Connected to driver/fixture	Europlug 2000mm 2 X 0,75 Art. no.: 0502.075.20.0	
	Wieland GST 18/3 male 2000mm 3 X 0,75 Art. no.: 0501.183.20.0	
	Wieland T connector GST 18/3 200mm 3 X 0,75 Art. no.: 0500.183.20.0	

QUADRI 1

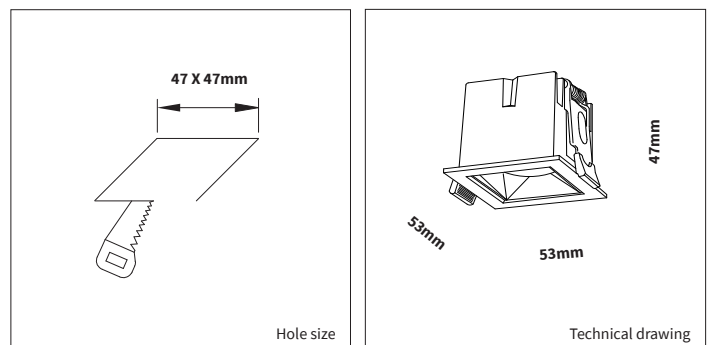
INFORMATION

WARRANTY	5 years warranty
-----------------	------------------

This luminaire is equipped with an innovative lens technology instead of a reflector
High quality LED lens technology + 10% more light output

Full warranty only applies when fixture is purchased in combination with recommended driver.

LitaTime International reserves the right to modify or change technical, construction or LED specifications due to continuous improvements of our products and light sources. The light source in this product can be replaced with an equivalent module made by Philips, Osram or Tridonic.



ART.NR.	LAMP TYPE	BRAND	LUMINOUS FLUX	OUTPUT POWER	MODULE EFFICIENCY	COLOUR TEMPERATURE	CRI	TC LIFETIME	mA
Δ see colors									
4414.215.24.Δ	5050	Osram	600lm	6W	100lm/W	2700K	>90	50.000 Hrs	150mA
4414.315.24.Δ	5050	Osram	600lm	6W	100lm/W	3000K	>90	50.000 Hrs	150mA