



## QUBIC 3

|                         |   |
|-------------------------|---|
| <b>PRODUCT MATERIAL</b> | Steel   |
| <b>LIGHT SOURCE</b>     | LMR50   |
| <b>MODULE LIFETIME</b>  | Approx. 30.000 hours  |
| <b>DRIVER</b>           | Fixture excluding driver, <b>select option</b>  |
| <b>COLORS (Δ)</b>       | <ul style="list-style-type: none"> <li>○ 3 = RAL 9003 white</li> <li>● 77 = RAL 7037 light grey</li> <li>● 7 = RAL 7043 anthracite</li> <li>● 5 = RAL 9005 black</li> </ul> |
| <b>BEAM ANGLE</b>       | <ul style="list-style-type: none"> <li>▲ 20°</li> <li>▲ 30°</li> </ul>  |
| <b>ADJUSTABLE</b>       | Yes   |
| <b>SIZE</b>             | 367 X 115 X 123mm   |

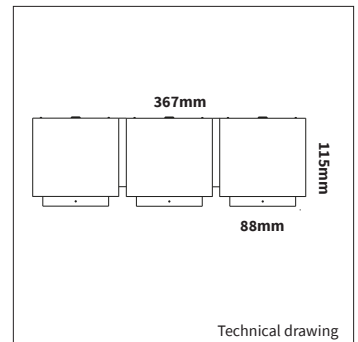


### OPTIONS LMR50

|                          |   |                         |             |                         |                  |             |                         |              |             |                         |             |             |                         |
|--------------------------|---|-------------------------|-------------|-------------------------|------------------|-------------|-------------------------|--------------|-------------|-------------------------|-------------|-------------|-------------------------|
| <b>COLORS</b>            | <p>The standard colors, as stated above, can be combined with the fixture inside / outside</p> <p>No additional price</p> <hr/> <p>Available in all RAL colors and color combinations on request</p> <p>Additional price 10%</p>  |                         |             |                         |                  |             |                         |              |             |                         |             |             |                         |
| <b>GLASS COVER CLEAR</b> | <p>Glass IP44</p> <p>Art. no.: 3 X 0053.999.99.0</p>  |                         |             |                         |                  |             |                         |              |             |                         |             |             |                         |
| <b>OPTIONS DRIVERS</b>   | <table border="1"> <tr> <td><b>On/off</b></td> <td>350mA 6-10W</td> <td>Art. no.: 0110.350.10.3</td> </tr> <tr> <td><b>Phase cut</b></td> <td>350mA 5-10W</td> <td>Art. no.: 0110.350.30.1</td> </tr> <tr> <td><b>1/10V</b></td> <td>350mA 5-10W</td> <td>Art. no.: 0110.350.30.1</td> </tr> <tr> <td><b>DALI</b></td> <td>350mA 3-18W</td> <td>Art. no.: 0118.350.40.0</td> </tr> </table> | <b>On/off</b>           | 350mA 6-10W | Art. no.: 0110.350.10.3 | <b>Phase cut</b> | 350mA 5-10W | Art. no.: 0110.350.30.1 | <b>1/10V</b> | 350mA 5-10W | Art. no.: 0110.350.30.1 | <b>DALI</b> | 350mA 3-18W | Art. no.: 0118.350.40.0 |
| <b>On/off</b>            | 350mA 6-10W   | Art. no.: 0110.350.10.3 |             |                         |                  |             |                         |              |             |                         |             |             |                         |
| <b>Phase cut</b>         | 350mA 5-10W   | Art. no.: 0110.350.30.1 |             |                         |                  |             |                         |              |             |                         |             |             |                         |
| <b>1/10V</b>             | 350mA 5-10W   | Art. no.: 0110.350.30.1 |             |                         |                  |             |                         |              |             |                         |             |             |                         |
| <b>DALI</b>              | 350mA 3-18W   | Art. no.: 0118.350.40.0 |             |                         |                  |             |                         |              |             |                         |             |             |                         |



QUBIC 3



### INFORMATION

|                 |         |
|-----------------|---------|
| <b>WARRANTY</b> | 3 Years |
|-----------------|---------|

Full warranty only applies when fixture is purchased in combination with recommended driver.

International reserves the right to modify or change technical, construction or LED specifications due to continuous improvements of our products and light sources. The light source in this product can be replaced with an equivalent module made by Philips, Osram or Tridonic.

| ART.NR.       | LAMP TYPE | BRAND        | LUMINOUS FLUX | OUTPUT POWER | MODULE EFFICIENCY | COLOUR TEMPERATURE | CRI | TC LIFETIME | BEAM ANGLE | mA    |
|---------------|-----------|--------------|---------------|--------------|-------------------|--------------------|-----|-------------|------------|-------|
| Δ see colors  |           |              |               |              |                   |                    |     |             |            |       |
| 4614.171.20.Δ | LMR50     | Bridgelux V6 | 3 X 575lm     | 3 X 6,8W     | 85lm/W            | 2700K              | >90 | 30.000 Hrs  | 20°        | 350mA |
| 4614.172.30.Δ | LMR50     | Bridgelux V6 | 3 X 575lm     | 3 X 6,8W     | 85lm/W            | 2700K              | >90 | 30.000 Hrs  | 30°        | 350mA |
| 4614.173.20.Δ | LMR50     | Bridgelux V6 | 3 X 600lm     | 3 X 6,8W     | 88lm/W            | 3000K              | >90 | 30.000 Hrs  | 20°        | 350mA |
| 4614.174.30.Δ | LMR50     | Bridgelux V6 | 3 X 600lm     | 3 X 6,8W     | 88lm/W            | 3000K              | >90 | 30.000 Hrs  | 30°        | 350mA |
| 4614.175.20.Δ | LMR50     | Sharp GW6    | 3 X 563lm     | 3 X 6,6W     | 85lm/W            | 2000 - 2800K       | >80 | 30.000 Hrs  | 20°        | 350mA |
| 4614.176.30.Δ | LMR50     | Sharp GW6    | 3 X 563lm     | 3 X 6,6W     | 85lm/W            | 2000 - 2800K       | >80 | 30.000 Hrs  | 30°        | 350mA |