



**QUBIC 4**

<b>PRODUCT MATERIAL</b>	Steel
<b>LIGHT SOURCE</b>	LMR50
<b>MODULE LIFETIME</b>	Approx. 30.000 hours
<b>DRIVER</b>	Fixture excluding driver, <b>select option</b>
<b>COLORS (Δ)</b>	<ul style="list-style-type: none"> <li>○ 3 = RAL 9003 white</li> <li>● 77 = RAL 7037 light grey</li> <li>● 7 = RAL 7043 anthracite</li> <li>● 5 = RAL 9005 black</li> </ul>
<b>BEAM ANGLE</b>	20°     30°
<b>ADJUSTABLE</b>	Yes
<b>SIZE</b>	245 X 115 X 245mm

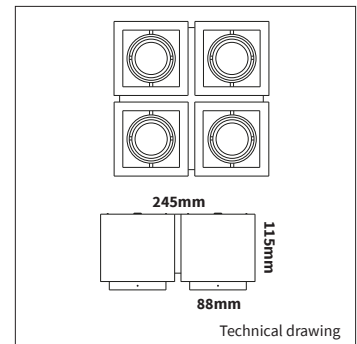


**OPTIONS LMR50**

<b>COLORS</b>	<p>The standard colors, as stated above, can be combined with the fixture inside / outside</p> <p>No additional price</p> <hr/> <p>Available in all RAL colors and color combinations on request</p> <p>Additional price 10%</p>	
<b>GLASS COVER CLEAR</b>	<p>Glass IP44</p> <p>Art. no.: 4 X 0053.999.99.0</p>	
<b>OPTIONS DRIVERS</b>	<p><b>On/off</b>    350mA 6-10W Art. no.: 0110.350.10.3</p>	
	<p><b>Phase cut</b> 350mA 5-10W Art. no.: 0110.350.30.1</p>	
	<p><b>1/10V</b>    350mA 5-10W Art. no.: 0110.350.30.1</p>	
	<p><b>DALI</b>     350mA 3-18W Art. no.: 0118.350.40.0</p>	



QUBIC 4



**INFORMATION**

<b>WARRANTY</b>	3 Years
-----------------	---------

Full warranty only applies when fixture is purchased in combination with recommended driver.

LiteTime International reserves the right to modify or change technical, construction or LED specifications due to continuous improvements of our products and light sources. The light source in this product can be replaced with an equivalent module made by Philips, Osram or Tridonic.

ART.NR.	LAMP TYPE	BRAND	LUMINOUS FLUX	OUTPUT POWER	MODULE EFFICIENCY	COLOUR TEMPERATURE	CRI	TC LIFETIME	BEAM ANGLE	mA
Δ see colors										
4617.171.20.Δ	LMR50	Bridgelux V6	4 X 575lm	4 X 6,8W	85lm/W	2700K	>90	30.000 Hrs	20°	350mA
4617.172.30.Δ	LMR50	Bridgelux V6	4 X 575lm	4 X 6,8W	85lm/W	2700K	>90	30.000 Hrs	30°	350mA
4617.173.20.Δ	LMR50	Bridgelux V6	4 X 600lm	4 X 6,8W	88lm/W	3000K	>90	30.000 Hrs	20°	350mA
4617.174.30.Δ	LMR50	Bridgelux V6	4 X 600lm	4 X 6,8W	88lm/W	3000K	>90	30.000 Hrs	30°	350mA
4617.175.20.Δ	LMR50	Sharp GW6	4 X 563lm	4 X 6,6W	85lm/W	2000 - 2800K	>80	30.000 Hrs	20°	350mA
4617.176.30.Δ	LMR50	Sharp GW6	4 X 563lm	4 X 6,6W	85lm/W	2000 - 2800K	>80	30.000 Hrs	30°	350mA