



Colours	□ ■ ■
Housing	Aluminium, die cast
Fixture type	Recessed
Module	Philips Fortimo SLM LED module
Driver	Philips Xitanium external LED driver with strain relief (included)
Light Output module	1100lm, 2000lm, 3000lm*
CCT	2200K, 2700K, 3000K, 4000K, 5700K*
CRI	>80Ra, >90Ra
Beam angles	15°, 24°, 40°, 60°
Rotatable	355°
Tiltable	30°
LED modules	Standard, Premium, Dim-to-Warm
Dimming Options	TRIAC, DALI, 1-10V, Casambi
Filter Options	Glass (standard)
Expected Lifetime	50.000h (L80/B10)
Cut out Size	Ø115 x H94mm
Photobiological safety	RG1 unlimited
Power factor	> 0.9
LOR	> 90%
Colour consistency	3 SDCM
Warranty	5 years warranty on LED module and driver

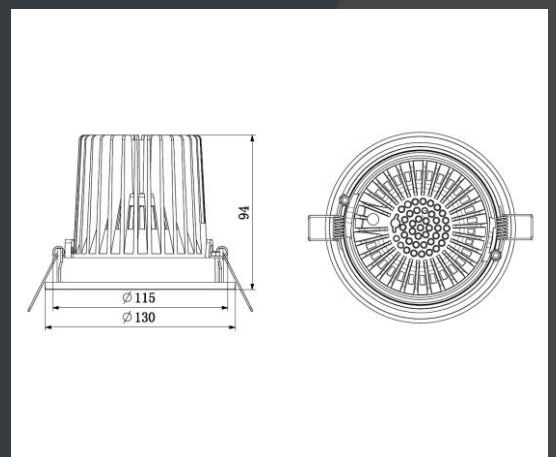


Net Weight	Dimensions carton L x W x H	Qty outer carton
621 grams	15 x 15 x 14 cm	24

* Other specific lumen output or CCT possible upon request

Available LED Modules

Description	Lumen	Watt	Lm/W	CCT	CRI
Philips Fortimo SLM G7	1100lm	6W	183	827,830,840	>80
Philips Fortimo SLM G7	1100lm	8W	138	927,930,930PW	>90
Philips Fortimo SLM G7	1100lm	7W	157	940PW	>90
Philips Fortimo SLM G7	1100lm	10W	110	922 PA (2200K)	>90
Philips Fortimo SLM G7	1100lm	8W	137	930 PC	>90
Dim-to-Warm (DTW)	1100lm	13W	85	2200-3000K	>90
Philips Fortimo SLM G7	2000lm	12W	167	827, 830, 840	>80
Philips Fortimo SLM G7	2000lm	15W	133	927, 930, 930PW	>90
Philips Fortimo SLM G7	2000lm	14W	143	940PW	>90
Philips Fortimo SLM G7	2000lm	19W	105	922 PA (2200K)	>90
Philips Fortimo SLM G7	2000lm	16W	125	930 PC	>90
Dim-to-Warm (DTW)	1900lm	20W	95	2200K-3000K	>90
Philips Fortimo SLM G7	3000lm	18W	166	827, 830, 840	>80
Philips Fortimo SLM G7	3000lm	22W	136	927, 930, 930PW	>90
Philips Fortimo SLM G7	3000lm	20W	150	940PW	>90



LED modules

Standard: CRI>80 and >90 in CCT 2700K, 3000K, 4000K

Premium White (PW): for fresh white and depth of colour in retail environments

¹⁾ Lumen output of LED module (COB)

²⁾ Mentioned wattage applies for the COB only. Mentioned wattage applies for the most efficient CCT.

The power of the complete fixture will be slightly higher due to the power consumption of the driver.

³⁾ Values shown are average values and are subject to +/- 10% tolerance (set by international standards). The colour

temperature is subject to a tolerance of up to +/- 150 Kelvin compared to the nominal value.

Technical data can be changed by Internova without prior notice.