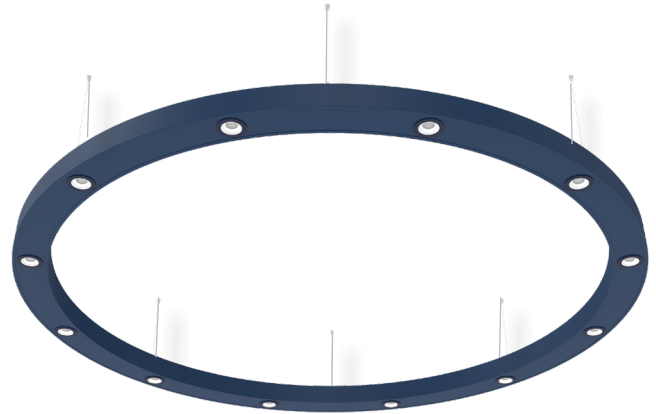




SLIMMY SPOT

PRODUCT MATERIAL	Steel and aluminium
LIGHT SOURCE	Philips SLM LED module
MODULE LIFETIME	Approx. 50.000 hours
DRIVER	Including driver
COLORS (Δ)	<ul style="list-style-type: none"> ○ 3 = RAL 9003 white ● 5 = RAL 9005 black ● 6 = RAL 9006 alu
REFLECTOR	Aluminium glossy
DIFFUSER	Clear glass
SIZE	2500 X 90mm



OPTIONS

COLORS	Available in all RAL colours on request Additional price + 10%
EMERGENCY BALLAST	Art. no.: 0187.003.01.0 - 1 hour
DIMMABLE	DALI dimmable
IP CLASS	IP20 in standard, IP44 on request
MOVEMENT SENSOR	On request
DAYLIGHT CONTROL SENSOR	On request

SLIMMY SPOT

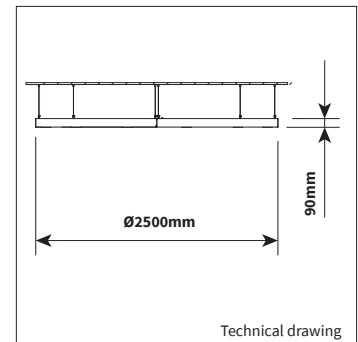
INFORMATION

WARRANTY	5 Years
-----------------	---------

1,5m steel wire suspension set standard

Different sizes on request

LiteTime International reserves the right to modify or change technical, construction or LED specifications due to continuous improvements of our products and light sources. The light source in this product can be replaced with an equivalent module made by Philips, Osram or Tridonic.



ARTICLE NO.	LAMP TYPE	BRAND	LIGHT OUTPUT	MODULE POWER	MODULE EFFICIENCY	CORRELATED COLOUR TEMPERATURE	COLOUR RENDERING INDEX	TC LIFE
Δ see colors								
7733.000.30.Δ	SLM LED module	Philips	14400lm	120W	120lm/W	3000K	>80	50.000 Hrs
7733.000.40.Δ	SLM LED module	Philips	14400lm	120W	120lm/W	4000K	>80	50.000 Hrs