



STICK TRIMLESS

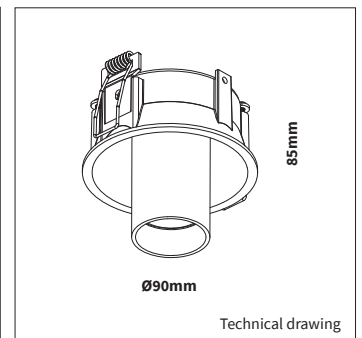
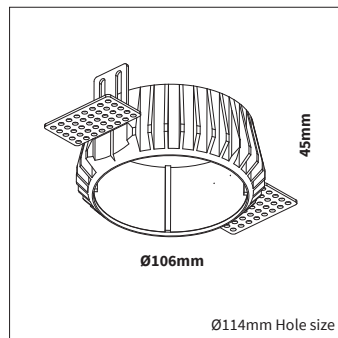
PRODUCT MATERIAL	Die-cast Aluminium
LIGHT SOURCE	Bridgelux V8 Array
MODULE LIFETIME	Approx. 35.000 hours
DRIVER	Fixture excluding driver, SELECT OPTION
COLORS	<input type="radio"/> 3 = RAL 9003 white
BEAM ANGLE	20°
ADJUSTABLE	Yes - 0-20° - 360°
SIZE	90 X 85mm



OPTIONS

OPTIONAL BEAM ANGLE	26° Art. no.: 4912.010.26.0								
OPTIONAL BEAM ANGLE	36° Art. no.: 4912.010.36.0								
ANTI-GLARE RING	Black anti-glare ring White anti-glare ring Art. no.: 4912.922.99.3 Gold anti-glare ring Art. no.: 4912.922.99.9								
GLASS	Prismatic Art. no.: 4912.933.94.0 Frosted Art. no.: 4912.933.90.0 Striped Art. no.: 4912.933.96.0								
HONEYCOMB	Art. no.: 4912.933.91.0								
DRIVER OPTIONS 500mA	<table border="1"> <tr> <td>On/off</td> <td>500mA 6-10W Art. no.: 0110.500.10.2</td> </tr> <tr> <td>Phase cut</td> <td>500mA 5-10W Art. no.: 0110.500.30.1</td> </tr> <tr> <td>1/10V</td> <td>500mA 5-10W Art. no.: 0110.500.30.1</td> </tr> <tr> <td>DALI</td> <td>500mA 4-18W Art. no.: 0118.500.40.0</td> </tr> </table>	On/off	500mA 6-10W Art. no.: 0110.500.10.2	Phase cut	500mA 5-10W Art. no.: 0110.500.30.1	1/10V	500mA 5-10W Art. no.: 0110.500.30.1	DALI	500mA 4-18W Art. no.: 0118.500.40.0
On/off	500mA 6-10W Art. no.: 0110.500.10.2								
Phase cut	500mA 5-10W Art. no.: 0110.500.30.1								
1/10V	500mA 5-10W Art. no.: 0110.500.30.1								
DALI	500mA 4-18W Art. no.: 0118.500.40.0								
POWER CABLE OPTIONS Connected to driver/fixture	<table border="1"> <tr> <td>Europlug 2000mm 2 X 0,75</td> <td>Art. no.: 0502.075.20.0</td> </tr> <tr> <td>Wieland GST 18/3 male 2000mm 3 X 0,75</td> <td>Art. no.: 0501.183.20.0</td> </tr> <tr> <td>Wieland T connector GST 18/3 200mm 3 X 0,75</td> <td>Art. no.: 0500.183.20.0</td> </tr> </table>	Europlug 2000mm 2 X 0,75	Art. no.: 0502.075.20.0	Wieland GST 18/3 male 2000mm 3 X 0,75	Art. no.: 0501.183.20.0	Wieland T connector GST 18/3 200mm 3 X 0,75	Art. no.: 0500.183.20.0		
Europlug 2000mm 2 X 0,75	Art. no.: 0502.075.20.0								
Wieland GST 18/3 male 2000mm 3 X 0,75	Art. no.: 0501.183.20.0								
Wieland T connector GST 18/3 200mm 3 X 0,75	Art. no.: 0500.183.20.0								

STICK TRIMLESS



Anti-glare ring



Striped

Frosted

Prismatic



Honeycomb

INFORMATION

Full warranty only applies when fixture is purchased in combination with recommended driver.

Including mounting kit

LiteTime International reserves the right to modify or change technical, construction or LED specifications due to continuous improvements of our products and light sources. The light source in this product can be replaced with an equivalent module made by Philips, Osram or Tridonic.

ARTICLE NUMBER	LAMP TYPE	BRAND	LUMINOUS FLUX	OUTPUT POWER	MODULE EFFICIENCY	COLOR TEMPERATURE	CRI	TC LIFETIME	mA
4918.500.26.3	V6 Array	Bridgelux	994lm	8,9W	112lm/W	2700K	>90	35.000 Hrs	500mA