



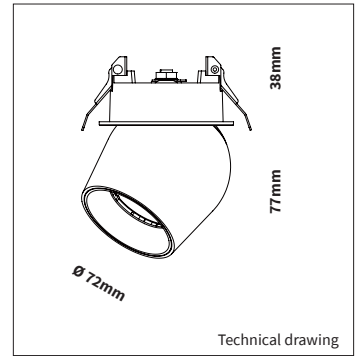
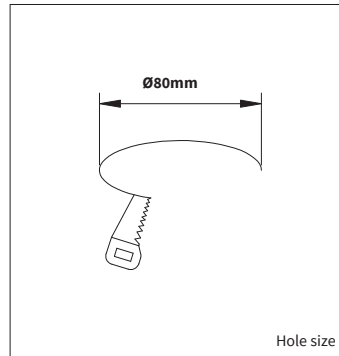
PRODUCT MATERIAL	Die-cast aluminium
LIGHT SOURCE	Philips SLM G7
DRIVER	Including Xitanium driver
COLORS (Δ)	○ 3 = RAL 9003 white ● 5 = RAL 9005 black
BEAM ANGLE	24°
ADJUSTABLE	Rotating 350°, 55° tiltable
DIMMABLE	Yes
SIZE	115 X 72mm



VENUS R MIDI

OPTIONS

OPTIONAL BEAM ANGLE	<p>15° Art. no.: 3067.010.15.0</p> <p>36° Art. no.: 3067.010.36.0</p> <p>45° Art. no.: 3067.010.45.0</p>
ANTI-GLARE RING	<p>Black anti-glare ring</p> <p>Gold mat anti-glare ring Art. no.: 3067.030.00.9</p>
HONEYCOMB	Art. no.: 3067.040.00.0
EMERGENCY BALLAST	Art. no.: 0187.003.01.0 1 hour
DIMMABLE	DALI dimmable driver
OPTION POWER CABLE	Europlug 2000mm 2 X 0,75 Art. no.: 0502.075.20.0
Connected to driver/fixture	Wieland GST 18/3 male 2000mm 3 X 0,75 Art. no.: 0501.183.20.0
	Wieland T connector GST 18/3 200mm 3 X 0,75 Art. no.: 0500.183.20.0



INFORMATION

WARRANTY	5 Years
-----------------	---------

Also available in surface and track version

LiteTime reserves the right to modify or change technical, construction or LED specifications due to continuous improvements of our products and light sources. The light source in this product can be replaced with an equivalent module made by Philips, Osram or Tridonic.



AVAILABLE SLM OPTIONS

To order the correct product, please replace **COB*** in the article number field with the COB code found on the last page of the catalogue

ARTICLE NUMBER Δ See colors	LUMINOUS FLUX	BRAND	OUTPUT POWER	COLOUR TEMPERATURE	CRI	SETTING	POWER FACTOR
4067. COB* .24.Δ	1100lm	Philips SLM G7	6W	827 / 830 / 835 / 840 / 850	>80	High Efficiency	>0,9
4067. COB* .24.Δ	1100lm	Philips SLM G7	8W	927 / 930	>90	High Efficiency	>0,9
4067. COB* .24.Δ	1100lm	Philips SLM G7	6W	830 Premium White	>80	High Efficiency	>0,9
4067. COB* .24.Δ	1100lm	Philips SLM G7	7W	930 / 935 / 940 Premium White	>90	High Efficiency	>0,9
4067. COB* .24.Δ	1100lm	Philips SLM G7	7W	930 Premium Color	>90	High Efficiency	>0,9
4067. COB* .24.Δ	1100lm	Philips SLM G6	11W	930 Crisp White	>90	High Efficiency	>0,9
4067. COB* .24.Δ	1100lm	Philips SLM G7	12W	925 Food Warm White	84	High Efficiency	>0,9
4067. COB* .24.Δ	1100lm	Philips SLM G7	11W	930 Food Premium Red	88	High Efficiency	>0,9
4067. COB* .24.Δ	2000lm	Philips SLM G7	12W	827 / 830 / 835 / 840 / 850	>80	High Efficiency	>0,9
4067. COB* .24.Δ	2000lm	Philips SLM G7	17W	927 / 930	>90	High Efficiency	>0,9
4067. COB* .24.Δ	2000lm	Philips SLM G7	12W	830 Premium White	>80	High Efficiency	>0,9
4067. COB* .24.Δ	2000lm	Philips SLM G7	17W	930 / 935 / 940 Premium White	>90	High Efficiency	>0,9
4067. COB* .24.Δ	2000lm	Philips SLM G7	17W	930 Premium Color	>90	High Efficiency	>0,9
4067. COB* .24.Δ	3000lm	Philips SLM G7	19W	827 / 830 / 835 / 840 / 850 / 857	>80	High Efficiency	>0,9
4067. COB* .24.Δ	3000lm	Philips SLM G7	20W	830 Premium White	>90	High Efficiency	>0,9