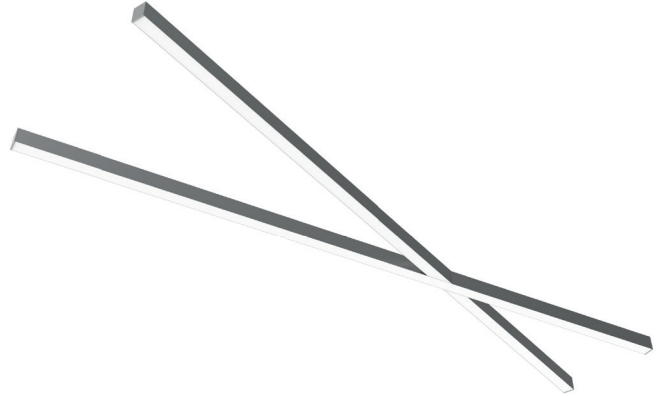




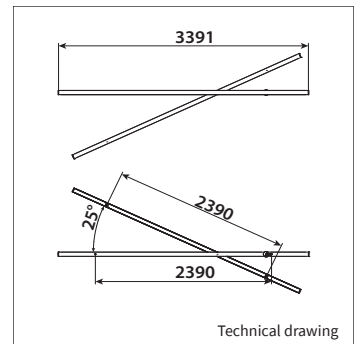
PRODUCT MATERIAL	Aluminium profile
LIGHT SOURCE	Philips Ledline
MODULE LIFETIME	Approx. 50.000 hours
DRIVER LEDLINE	Including Philips Xitanium driver
COLORS (Δ)	<input type="radio"/> 3 = RAL 9003 white <input checked="" type="radio"/> 5 = RAL 9005 black <input type="radio"/> 6 = RAL 9006 alu
REFLECTOR	Aluminium white
ADJUSTABLE	No
SIZE	3391mm (see technical drawing) BxH: 60x80mm



OPTIONS

COLORS	Available in all RAL colours on request Additional price + 10%
EMERGENCY BALLAST	Art. nr.: 0187.003.01.0 - 1 hour
DIMMABLE	DALI dimmable On request
DIFFUSER	White acrylic diffuser in standard Acrylic frosted, microprismatic or any other on request
UGR DIFFUSER	UGR<19 diffuser on request
IP CLASS	IP20 in standard, IP44 on request
MOVEMENT SENSOR	On request
DAYLIGHT CONTROL SENSOR	On request

PROFILE V



Technical drawing

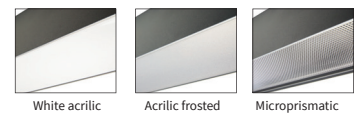
INFORMATION

WARRANTY	5 Years
-----------------	---------

Suspended, standard 1,5m steel wire suspension included

We can produce this luminaire in different lengths and shapes on request

LiteTime International reserves the right to modify or change technical, construction or LED specifications due to continuous improvements of our products and light sources. The light source in this product can be replaced with an equivalent module made by Philips, Osram or Tridonic.



White acrylic Acrylic frosted Microprismatic

ART.NR.	LAMP TYPE	BRAND	LUMINOUS FLUX	OUTPUT POWER	MODULE EFFICIENCY	COLOUR TEMPERATURE	CRI	TC LIFETIME
Δ see colos								
9261.239.30.Δ	Ledline	Philips	26400lm	172W	154lm/W	3000K	>80	50.000 Hrs
9261.239.40.Δ	Ledline	Philips	26400lm	172W	154lm/W	4000K	>80	50.000 Hrs