



| | |
|-------------------------|--|
| PRODUCT MATERIAL | Die-cast aluminium |
| LIGHT SOURCE | Bridgelux DtW |
| DRIVER | Including phase cut dimmable driver |
| COLORS (Δ) | ○ 3 = RAL 9003 white ● 5 = RAL 9005 black |
| BEAM ANGLE | 24° |
| ADJUSTABLE | Rotating 350°, 55° tiltable |
| DIMMABLE | Yes |
| SIZE | 152 X 62mm |



OPTIONS

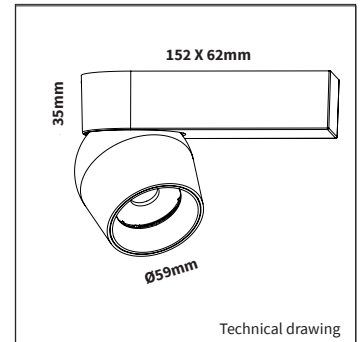
| | |
|----------------------------|---|
| OPTIONAL BEAM ANGLE | 36° Art. no.: 3066.010.36.0 |
| | 50° Art. no.: 3066.010.50.0 |
| ANTI-GLARE RING | Black anti-glare ring |
| | Gold mat anti-glare ring Art. no.: 3066.030.00.9 |
| HONEYCOMB | Art. no.: 3066.040.00.0 |
| OPTION DRIVERS | 1/10V 250mA 8-11W Art. no.: 0115.250.30.1 |
| | DALI 250mA 8-10W Art. no.: 0110.250.40.1 |

INFORMATION

| | |
|-----------------|---------|
| WARRANTY | 3 Years |
|-----------------|---------|

Also available in track and recessed version

LiteTime reserves the right to modify or change technical, construction or LED specifications due to continuous improvements of our products and light sources. The light source in this product can be replaced with an equivalent module made by Philips, Osram or Tridonic.



Anti-glare ring



Honeycomb

| ART.NR. | LAMP TYPE | BRAND | LUMINOUS FLUX | OUTPUT POWER | MODULE EFFICIENCY | COLOUR TEMPERATURE | CRI | TC LIFETIME | mA |
|---------------|-----------|-----------|---------------|--------------|-------------------|--------------------|---------|-------------|-------|
| Δ see colors | | | | | | | | | |
| 5066.125.24.Δ | DtW | Bridgelux | 900lm | 10W | 90lm/W | 1800-3000K | DTW >90 | 50.000 Hrs | 250mA |