

## ULTRAFLOOD ECO series



80W/100W/  
120W/150W

180W/200W/240W

260W/280W/300W

Small: LT-FLX80W, LT-FLX100W, LT-FLX120W, LT-FLX150W

Medium: LT-FLX180W, LT-FLX200W, LT-FLX240W

Large: LT-FLX260W, LT-FLX280W, LT-FLX300W

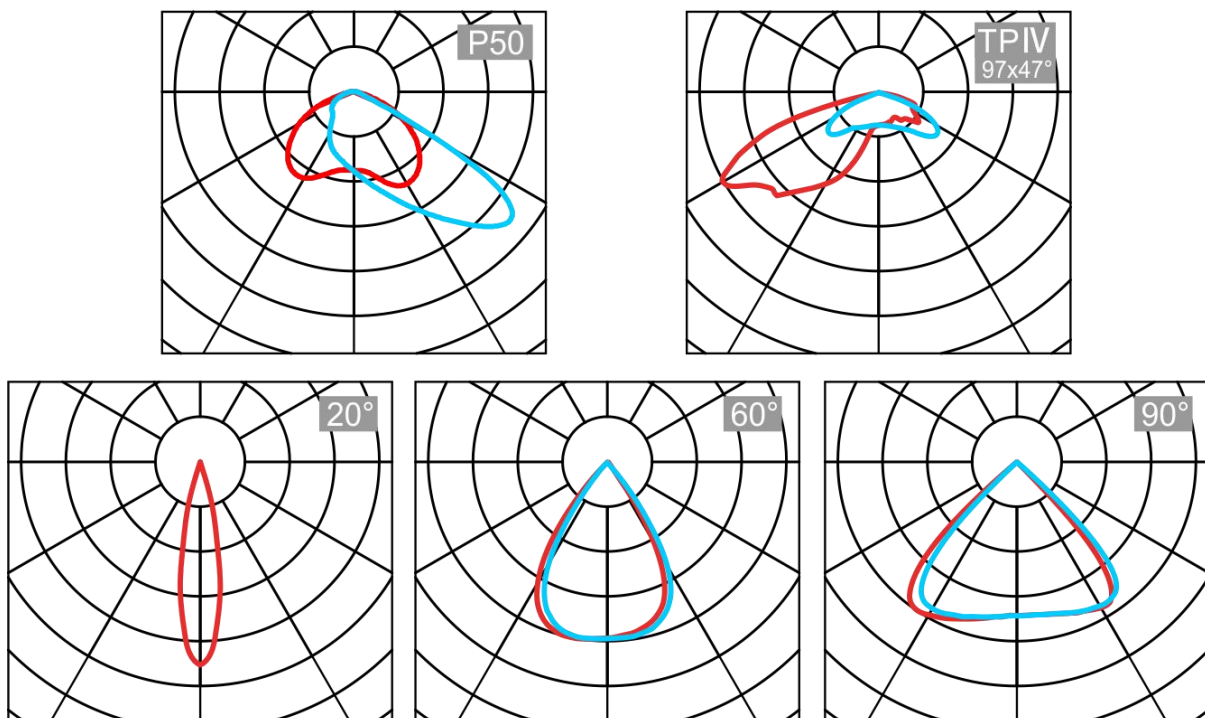
## Features

Ultraflood Eco series flood light provides a solution for recreational sports and area lighting, Provides a variety of different angles of light distribution design to meet the lighting needs of different occasions.

Products using Philips Light Source and MEAN WELL Constant Current Power Driver, L80B20 can reach more than 50,000 hours. Tempered Glass and Polycarbonate Optical Lens, Protection level up to IK08 and IP66.

## Photometry

Wide choice of optics to suit more applications (asymmetrical and symmetrical).



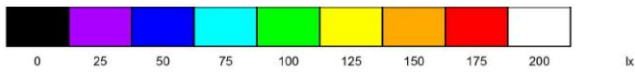
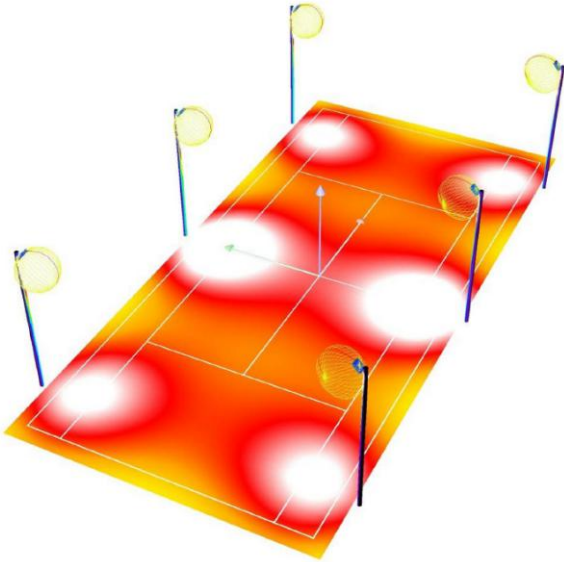
## Specifications

Item NO.	LTJ-FLX80W / LT-FLX100W / LT-FLX120W/ LT-FLX150W LT-FLX180W / LT-FLX200W/ LT-FLX240W LT-FLX260W / LT-FLX280W / LT-FLX300W
Brand of LED Chips	LUMILEDS LED (5050)
Brand of LED Driver	MeanWell
Driver Type	Constant Current (CC)
Input Voltage & Frequency	100-305Vac 50/60Hz
Luminous Flux	Up to 42000LM /300W
LED Luminaire Efficacy	>140LM/W
Housing	Aluminum Alloy
Finish	Powder Coating
Fixture Color	Black
Optics	Tempered Glass and Polycarbonate Optical Lens
IP/IK Rating	IP66/IK08
Operating Temperature	-40°C - +50°C
Dimmable	Dimmable and Non-dimmable
L80B20@25°C	>50.000H
Intelligent Control	DALI / Zigbee / Photocell
Beam Angle	20°、60°、90°、TPIV(97x47°)、P50
Certifications	CB, ENEC, CE, ROHS, SAA
Warranty	5 Years

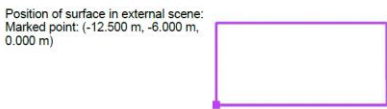
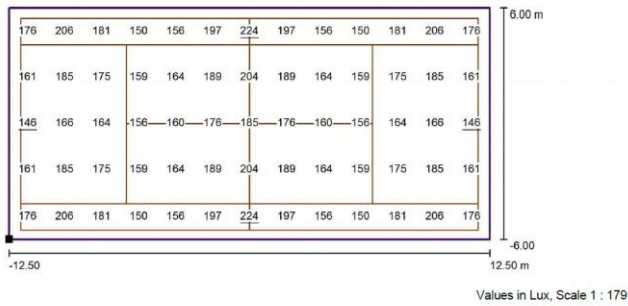
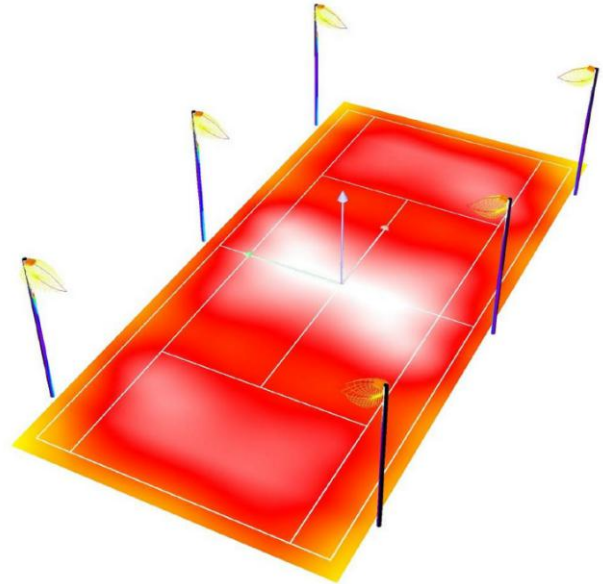
Note: Light optic with a little deviation for different color temperature LED , deviation value≤10%

# Dialux Simulation Comparison

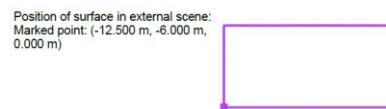
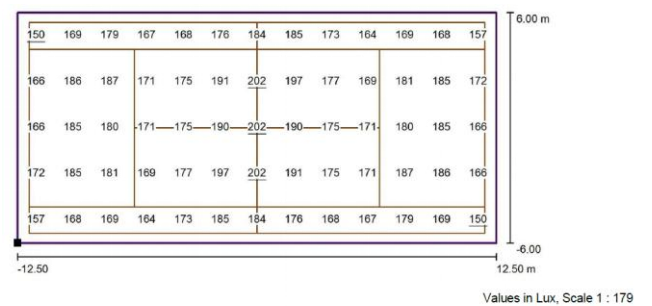
200W ordinary 120°



150W asymmetrical P50



Grid: 13 x 5 Points  
 $E_{av}$  [lx] 175     $E_{min}$  [lx] 146     $E_{max}$  [lx] 224     $u_0$  0.83     $E_{min} / E_{max}$  0.65



Grid: 13 x 5 Points  
 $E_{av}$  [lx] 176     $E_{min}$  [lx] 150     $E_{max}$  [lx] 202     $u_0$  0.85     $E_{min} / E_{max}$  0.75

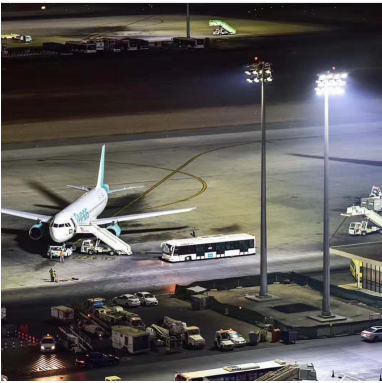
Standard tennis courts 36\*18M, install height is 6M

LED 150W asymmetrical P50 average lux is 176lx,  $u_0 = 0.85, u_1=0.75$

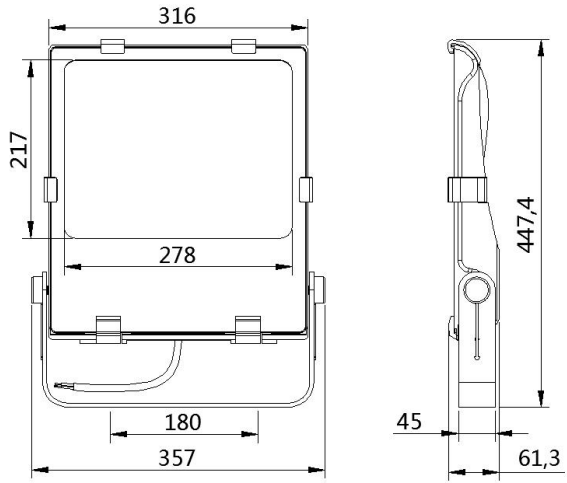
LED 200W ordinary 120° average lux is 175lx only,  $u_0 = 0.83, u_1=0.65$

**Lower watt but better performance!**

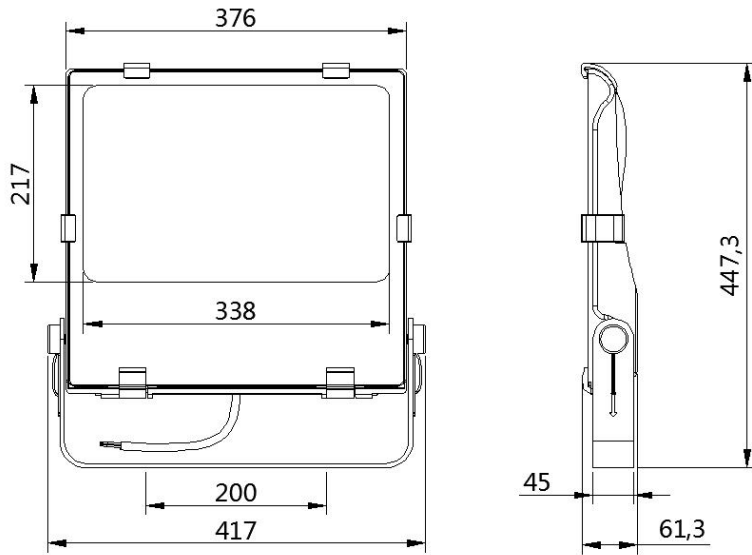
# Applications



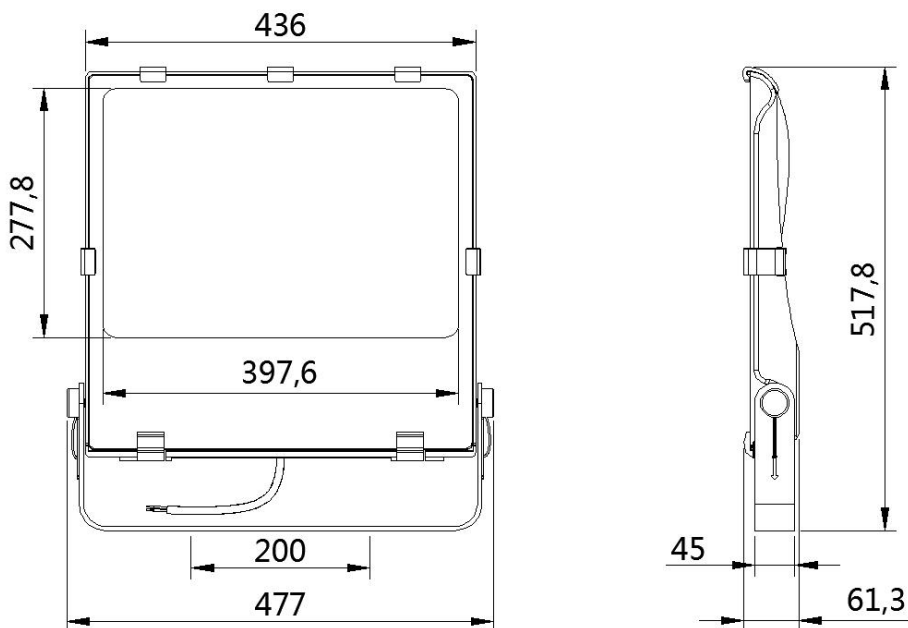
**Dimension**



Small Size

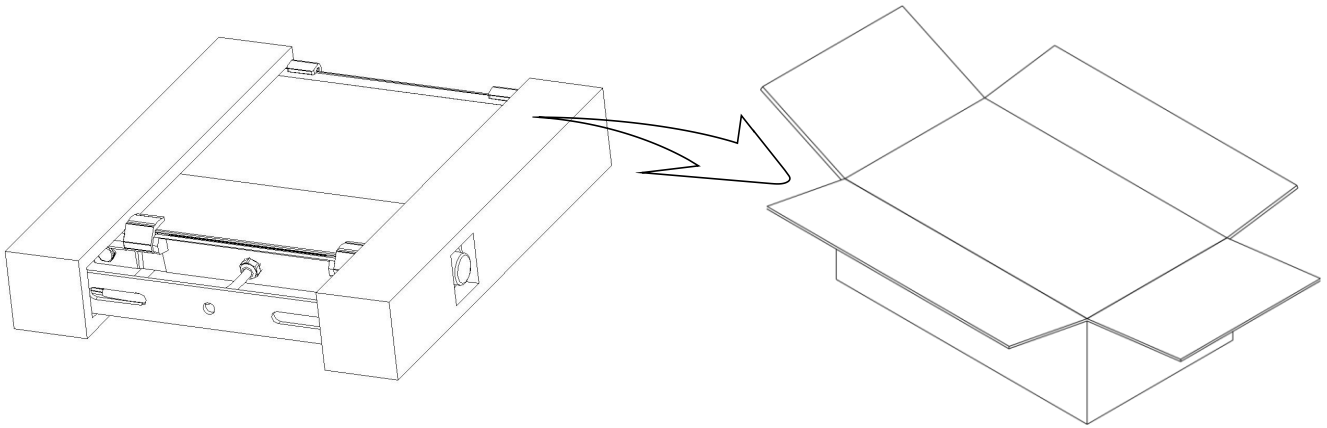


Medium Size



Big Size

## Packing



Model	Carton Size	Qty.	G.W.
80W/100W/ 120W/150W	48.2x37.0x11.0 cm	1PCS/CTN	6.0Kg
180W/200W/240W	48.2x43.0x11.0 cm	1PCS/CTN	7.0Kg
260W/280W/300W	55.3x49.0x11.0cm	1PCS/CTN	10.0Kg